

4

3

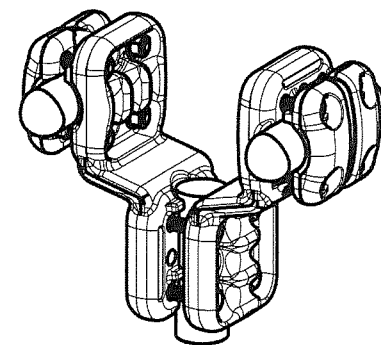
2

1

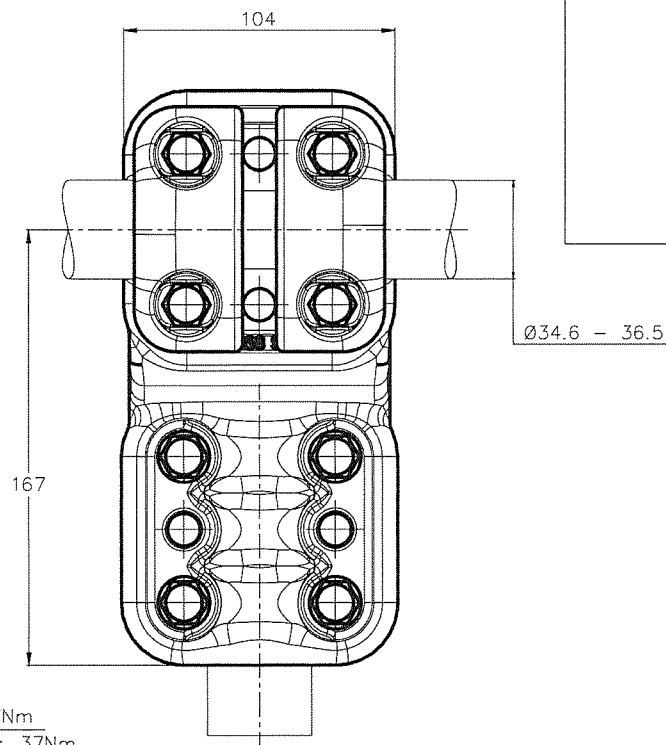
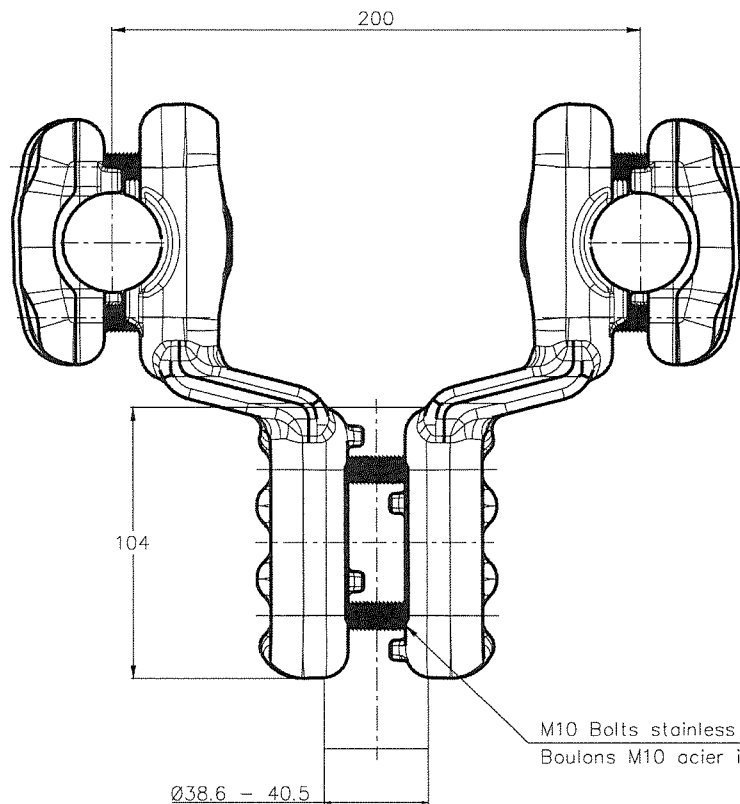
© - TE Connectivity. All Rights Reserved.

REVISIONS

P	LTR	DESCRIPTION	DATE	DWN	APVD
	A	CREATION	5-MAR-20	GL	-



No scale
Sans échelle



M10 Bolts stainless steel A2: 37Nm
Boulons M10 acier inoxydable A2: 37Nm

THIS DRAWING IS A CONTROLLED DOCUMENT.		DWN	LAFORGE	5-MAR-20	TE Connectivity	
DIMENSIONS: mm		CHK	-	-		
TOLERANCES UNLESS OTHERWISE SPECIFIED:		APVD	-	-	NAME Tee connector twin to Stud Connecteur en T faisceau double sur Borne	
0 PLC ± -		PRODUCT SPEC		108-69096-001		SIZE
1 PLC ± -		APPLICATION SPEC		-		
2 PLC ± -		MATERIAL		3.7 kg		DRAWING NO
3 PLC ± -		FINISH		-		
4 PLC ± -		CUSTOMER DRAWING		A3 00779		SCALE
ANGLES ± -		SCALE		C=2370668		
FINISH		1:2		1 of 1		REV
-		REV		A		