

4

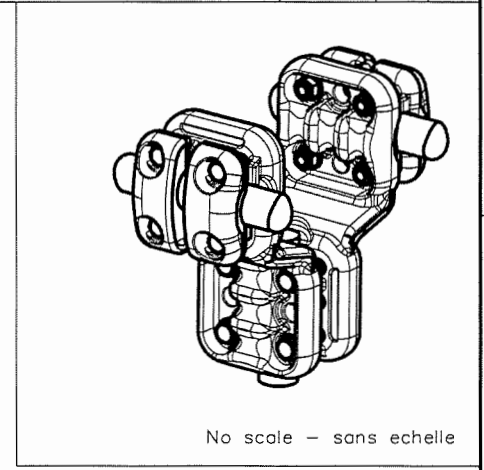
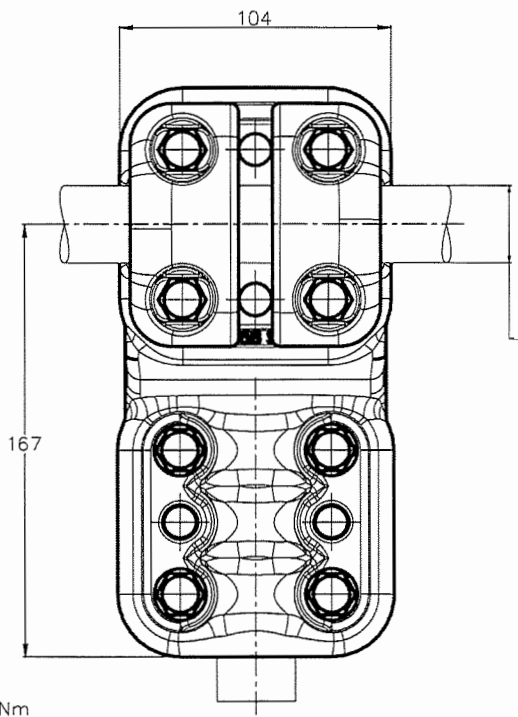
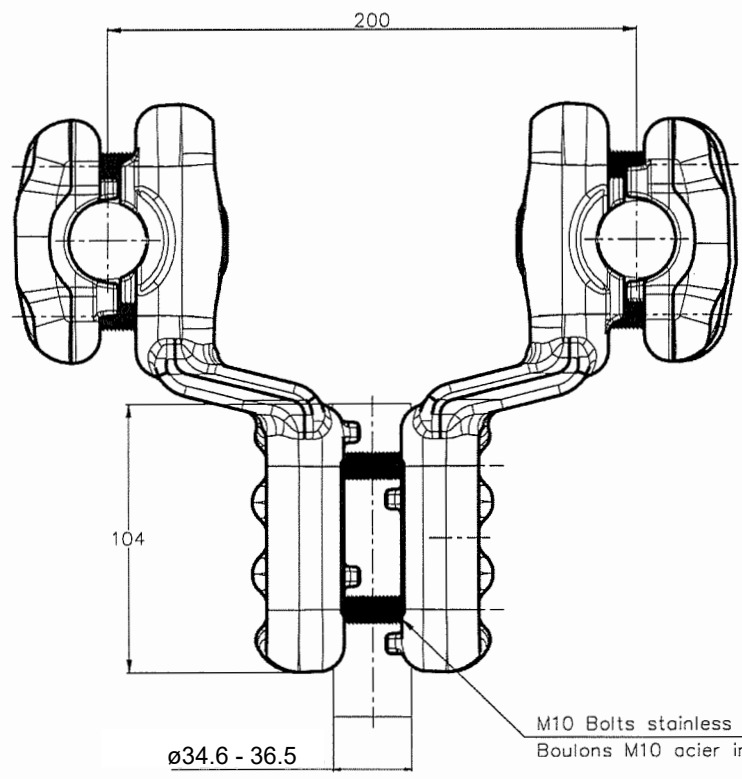
3

2

1

THIS DRAWING IS UNPUBLISHED. RELEASED FOR PUBLICATION
 © COPYRIGHT - By - ALL RIGHTS RESERVED.

REVISIONS				
P	LTR	DESCRIPTION	DATE	OWN APVD
	A	CREATION	09-Jan-17	PG -



ø34.6 - 36.5

ø34.6 - 36.5

M10 Bolts stainless steel A2: 37Nm
 Boulons M10 acier inoxydable A2: 37Nm

THIS DRAWING IS A CONTROLLED DOCUMENT.		DWN GARNIER P.	09-Jan-17	STE TE Connectivity																			
DIMENSIONS: mm		CHK -	APVD -			NAME Tee connector twin to single Connecteur en T faisceau double / simple																	
TOLERANCES UNLESS OTHERWISE SPECIFIED:		PRODUCT SPEC 108-69096-001	APPLICATION SPEC -	5 CT 82 F M365 E200 M365																			
<table border="1"> <tr><td>0 PLC</td><td>±</td><td>-</td></tr> <tr><td>1 PLC</td><td>±</td><td>-</td></tr> <tr><td>2 PLC</td><td>±</td><td>-</td></tr> <tr><td>3 PLC</td><td>±</td><td>-</td></tr> <tr><td>4 PLC</td><td>±</td><td>-</td></tr> <tr><td>ANGLES</td><td>±</td><td>--</td></tr> </table>		0 PLC	±	-	1 PLC	±	-	2 PLC	±	-	3 PLC	±	-	4 PLC	±	-	ANGLES	±	--	APPROX WEIGHT 3.7 kg	SIZE A3	CAGE CODE 00779	DRAWING NO
0 PLC	±	-																					
1 PLC	±	-																					
2 PLC	±	-																					
3 PLC	±	-																					
4 PLC	±	-																					
ANGLES	±	--																					
MATERIAL -		FINISH -	CUSTOMER DRAWING		RESTRICTED TO -																		
ITEM: 3.10.....		SCALE 1/2		SHEET 1 OF 1 REV A																			