

4

3

2

1

THIS DRAWING IS UNPUBLISHED.

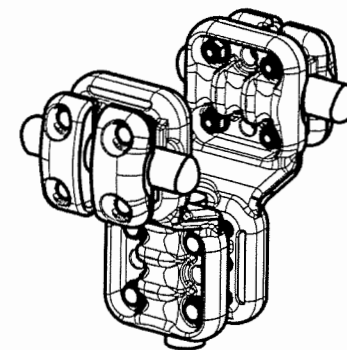
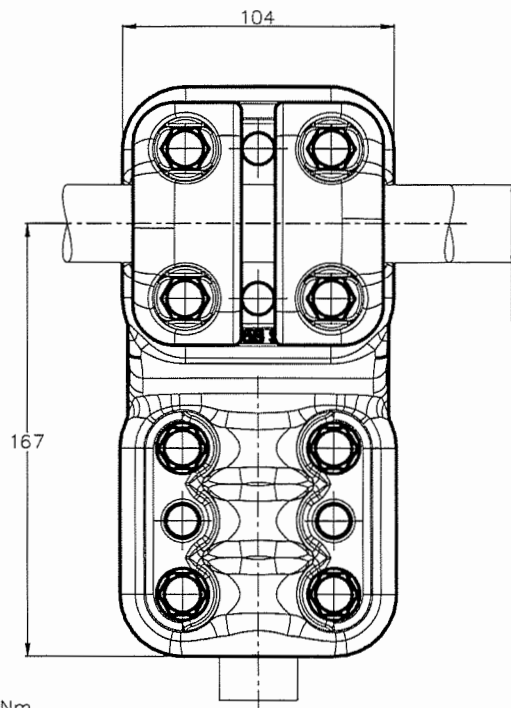
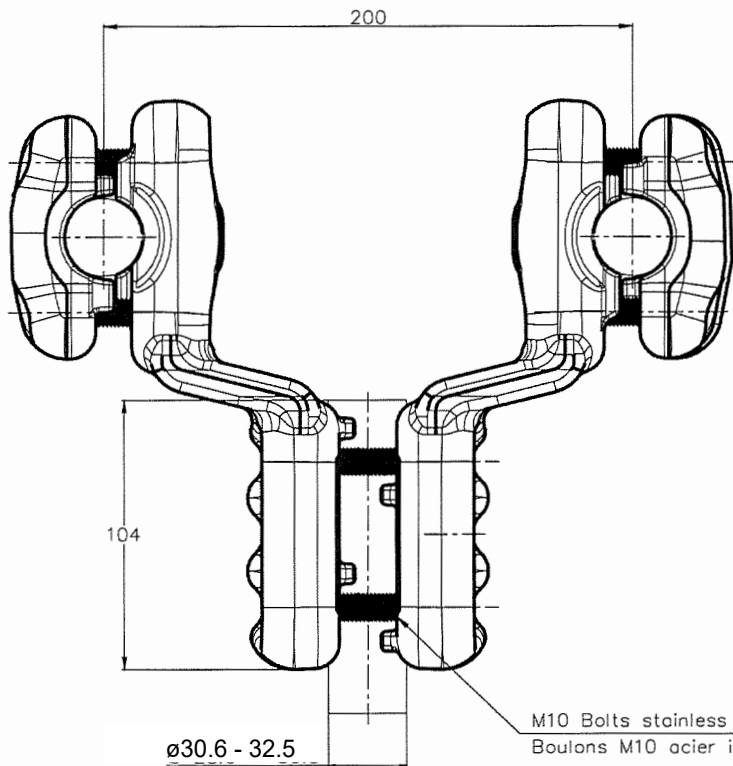
RELEASED FOR PUBLICATION

ALL RIGHTS RESERVED.

© COPYRIGHT - By -

REVISIONS

P	LIR	DESCRIPTION	DATE	DWN	APVD
A		CREATION	09-Jan-17	PG	-



No scale - sans echelle

ø30.6 - 32.5

M10 Bolts stainless steel A2: 37Nm  
Boulons M10 acier inoxydable A2: 37Nm

ITEM: 3.11

THIS DRAWING IS A CONTROLLED DOCUMENT.		DWN GARNIER P	09-Jan-17	TE Connectivity	
DIMENSIONS: mm		CHK -	APVD -		
TOLERANCES UNLESS OTHERWISE SPECIFIED:		PRODUCT SPEC 108-69096-001	APPLICATION SPEC -	SIZE A3	CAGE CODE 00779
MATERIAL -		FINISH -	APPROX. WEIGHT 3.7 kg	DRAWING NO.	RESTRICTED TO -
CUSTOMER DRAWING			SCALE 1/2	SHEET 1 of 1	REV A