

4

3

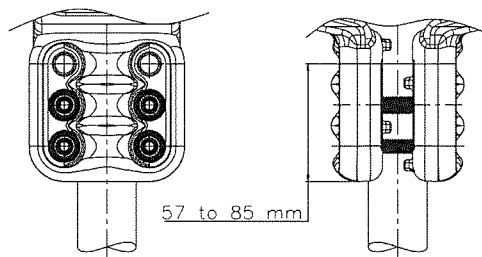
2

1

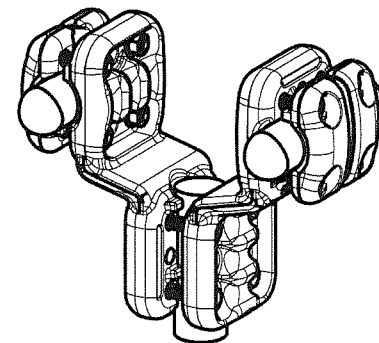
© - TE Connectivity. All Rights Reserved.

REVISIONS

P	LTR	DESCRIPTION	DATE	DWN	APVD
A		CREATION	5-MAR-20	GL	-

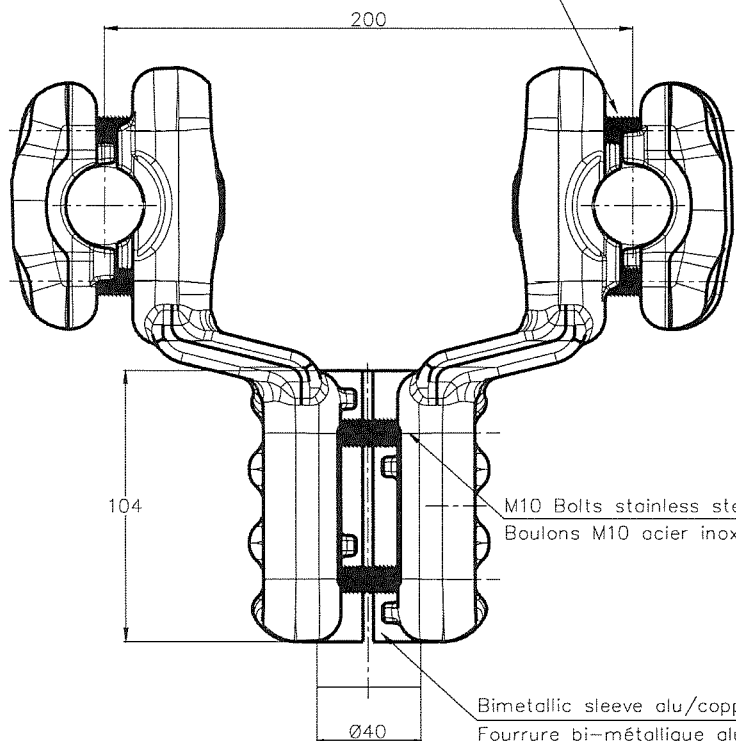


NOTE 1: Bolts Assembly for Stud length 57 to 85mm
 Assemblage Boulons sur Borne longueur 57 à 85mm



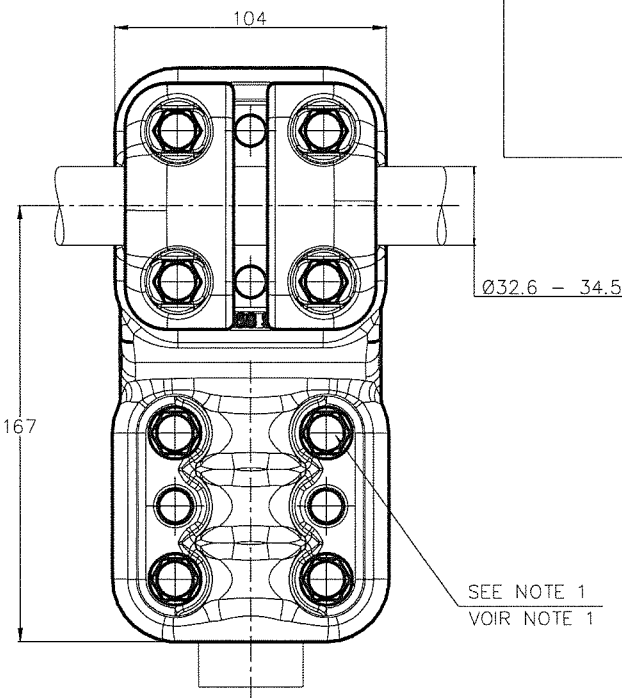
No scale
 Sans échelle

M10 Bolts stainless steel A2: 37Nm
 Boulons M10 acier inoxydable A2: 37Nm



M10 Bolts stainless steel A2: 37Nm
 Boulons M10 acier inoxydable A2: 37Nm

Bimetallic sleeve alu/copper 42x40Dia
 Fourrure bi-métallique alu/cuivre Ø42x40



SEE NOTE 1
 VOIR NOTE 1

THIS DRAWING IS A CONTROLLED DOCUMENT.

DWN LAFORGE 5-MAR-20

CHK -

APVD -

PRODUCT SPEC

108-69096-001

APPLICATION SPEC

WEIGHT 3.8 kg

CUSTOMER DRAWING

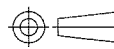


NAME Tee connector twin to Stud
 Connecteur en T faisceau double sur Borne
 5 CT 82 F M345 E200 MK405

SIZE A3 CAGE CODE 00779 DRAWING NO C=2370670 RESTRICTED TO -

DIMENSIONS:
 mm

TOLERANCES UNLESS OTHERWISE SPECIFIED:



0	PLC	± -
1	PLC	± -
2	PLC	± -
3	PLC	± -
4	PLC	± -
	ANGLES	± -
	FINISH	-

MATERIAL -

SCALE 1:2

SHEET 1 of 1

REV A