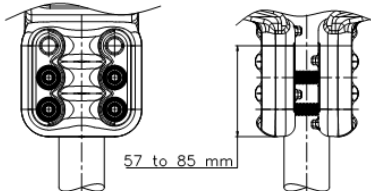
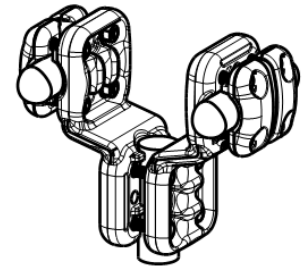


REVISIONS

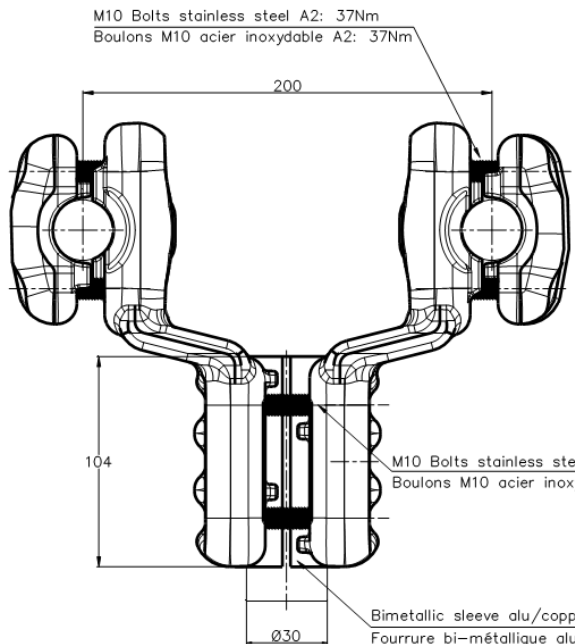
P	LTR	DESCRIPTION	DATE	DWN	APVD
A		CREATION	14-JAN-21	MP	-



NOTE 1: Bolts Assembly for Stud length 57 to 85mm  
Assemblage Boulons sur Borne longueur 57 à 85mm



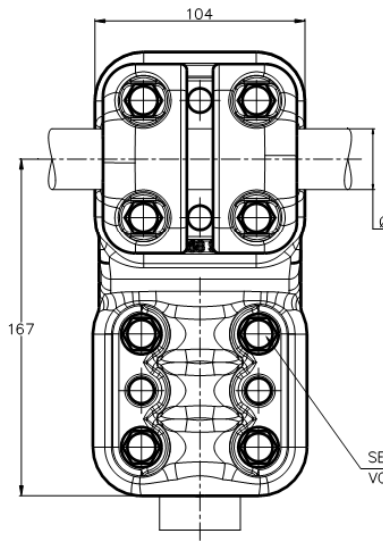
No scale  
Sans échelle



M10 Bolts stainless steel A2: 37Nm  
Boulons M10 acier inoxydable A2: 37Nm

M10 Bolts stainless steel A2: 37Nm  
Boulons M10 acier inoxydable A2: 37Nm

Bimetallic sleeve alu/copper 32x30Dia  
Fournure bi-métallique alu/cuivre Ø32x30



Ø32.6 - 34.5

SEE NOTE 1  
VOIR NOTE 1

THIS DRAWING IS A CONTROLLED DOCUMENT.

DIMENSIONS:	TOLERANCES UNLESS OTHERWISE SPECIFIED:
mm	0 PLC ± -
	1 PLC ± -
	2 PLC ± -
	3 PLC ± -
	4 PLC ± -
	ANGLES ± -

MATERIAL	FINISH
-	-

DWN	PREVOT	14-JAN-21
CHK	-	-
APVD	-	-
PRODUCT SPEC	108-69096-001	
APPLICATION SPEC	-	
WEIGHT	3.9 kg	A3
CUSTOMER DRAWING		



NAME Tee connector twin to Stud  
Connecteur en T faisceau double sur Borne  
5 CT 82 F M345 E200 MK305

SIZE	CAGE CODE	DRAWING NO	RESTRICTED TO
A3	00779	C=2385494	-

SCALE	SHEET	REV
1:2	1 of 1	A