

4

3

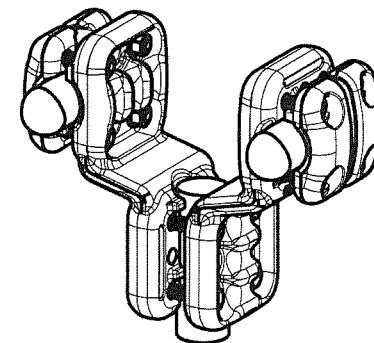
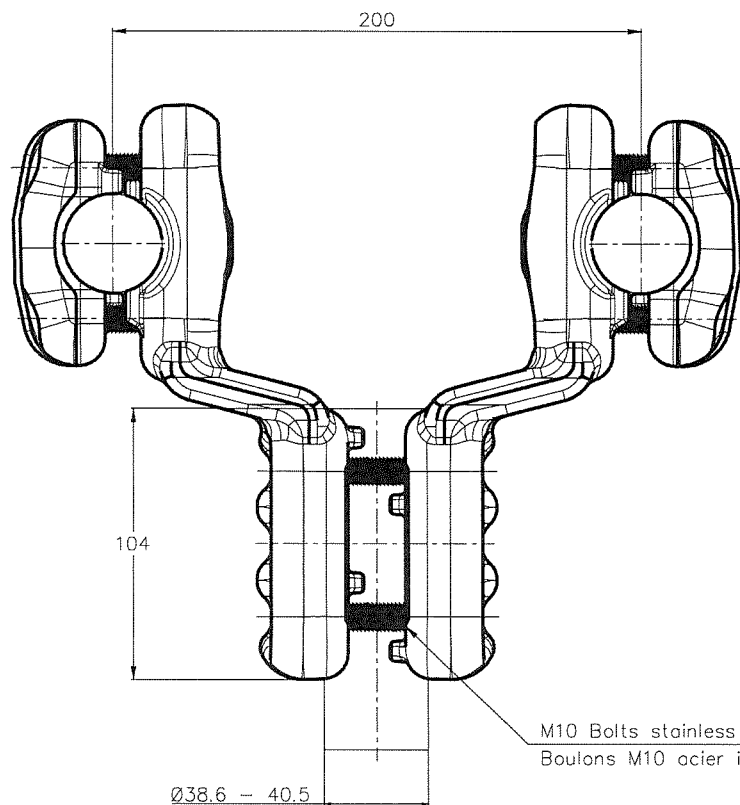
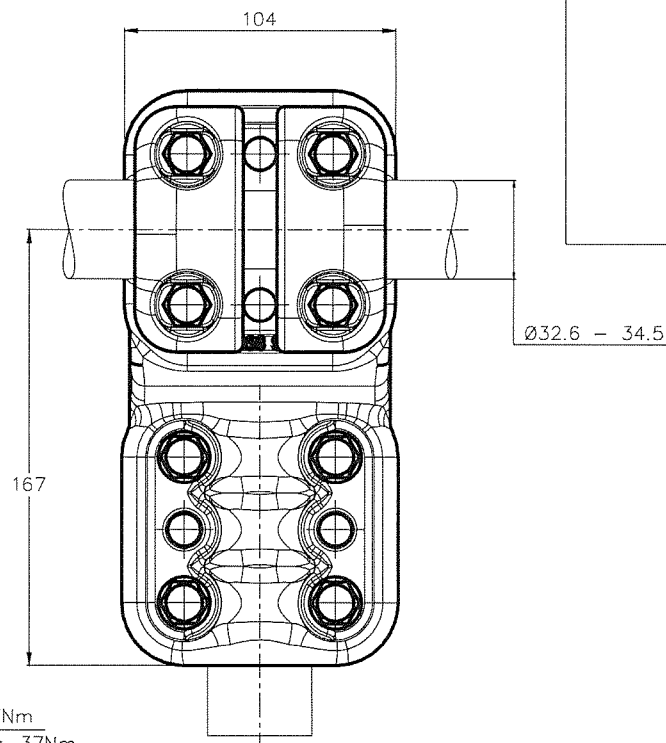
2

1

© - TE Connectivity. All Rights Reserved.

REVISIONS

| P | LTR | DESCRIPTION | DATE | DWN | APVD |
|---|-----|-------------|----------|-----|------|
| A | | CREATION | 5-MAR-20 | GL | --- |

No scale
Sans échelleM10 Bolts stainless steel A2: 37Nm
Boulons M10 acier inoxydable A2: 37Nm

THIS DRAWING IS A CONTROLLED DOCUMENT.

DWN LAFORGE 5-MAR-20

CHK -

APVD -

PRODUCT SPEC

APPLICATION SPEC

WEIGHT

3.7 kg

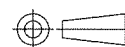
CUSTOMER DRAWING

NAME Tee connector twin to Stud
Connecteur en T faisceau double sur Borne
5 CT 82 F M345 E200 M405

SIZE CAGE CODE DRAWING NO RESTRICTED TO

A3 00779 C=2370669 -

SCALE 1:2 SHEET 1 OF 1 REV A

DIMENSIONS:
mmTOLERANCES UNLESS
OTHERWISE SPECIFIED:

0 PLC ± -
1 PLC ± -
2 PLC ± -
3 PLC ± -
4 PLC ± -
ANGLES ± -

MATERIAL

-

FINISH

-