

4

3

2

1

THIS DRAWING IS UNPUBLISHED.

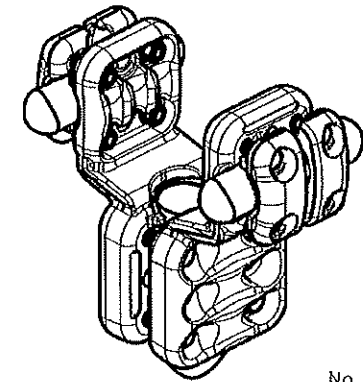
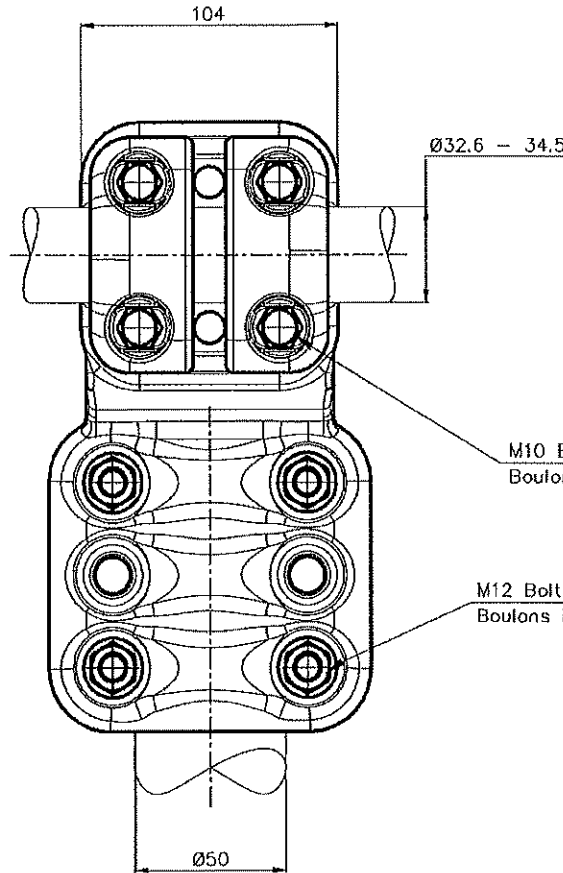
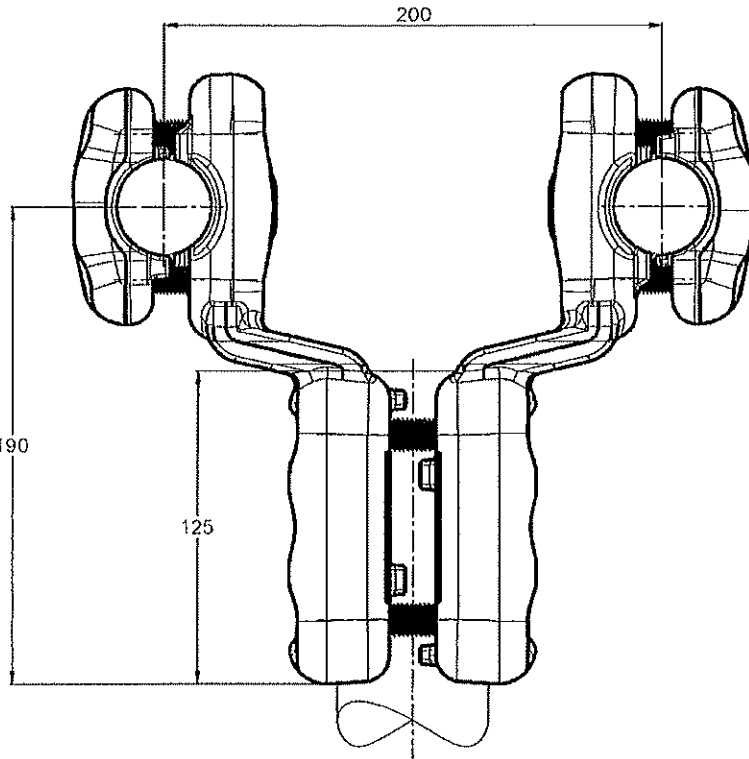
RELEASED FOR PUBLICATION

© COPYRIGHT -- By --

ALL RIGHTS RESERVED.

REVISIONS

P	LIK	DESCRIPTION	DATE	DM	APVD
A		CREATION	15-MAR-18	GL	--



No scale
Sans échelle

M10 Bolts stainless steel A2: 37Nm
Boulons M10 acier inoxydable A2: 37Nm

M12 Bolts stainless steel A2: 60Nm
Boulons M12 acier inoxydable A2: 60Nm

ITEM: 14

THIS DRAWING IS A CONTROLLED DOCUMENT.		DWI	15-MAR-18	
		CHK	LAForge	
DIMENSIONS:		APVD	--	
mm		PRODUCT SPEC	NAME	
		APPLICATION SPEC	TEE CONNECTOR TWIN TO STUD RACCORD EN TE FAISCEAU DOUBLE SUR BORNE	
1. PLC ± -- 2. PLC ± -- 3. PLC ± -- 4. PLC ± -- ANGLES ± --		APPROX. WEIGHT	5 CT 82 F M345 E200 L505	
MATERIAL		4.6 kg	SIZE	CAGE CODE
--		CUSTOMER DRAWING	A300779	DRAWING NO
			2330893	RESTRICTED TO
			SCALE	SHEET
			1:2	1 of 1
			REV	A

