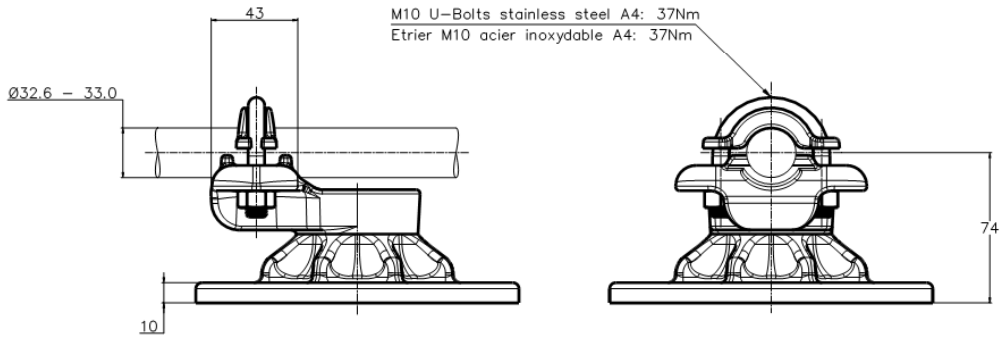
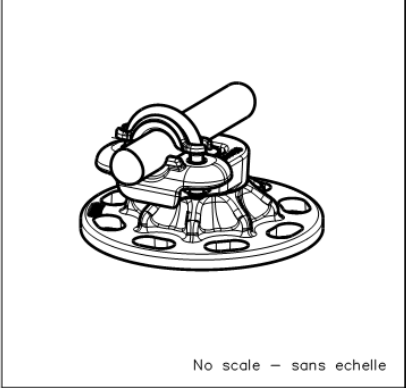
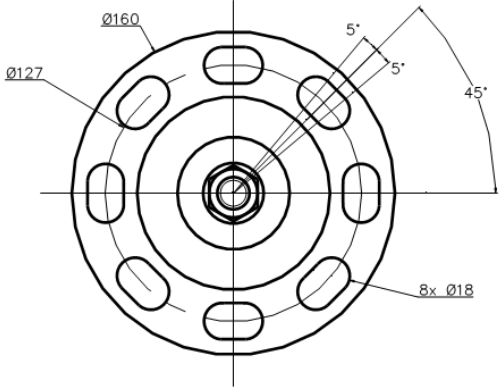


THIS DRAWING IS UNPUBLISHED. RELEASED FOR PUBLICATION
 © COPYRIGHT - By - ALL RIGHTS RESERVED.

REVISIONS					
P	LR	DESCRIPTION	DATE	DWI	APVD
A		CREATION	23-JAN-20	GL	-



ITEM:.....

THIS DRAWING IS A CONTROLLED DOCUMENT.		DWI: LAFORGE	23-JAN-20	STE TE Connectivity	
DIMENSIONS: mm		CHK: -	APVD: -		
TOLERANCES UNLESS OTHERWISE SPECIFIED:		PRODUCT SPEC: 108-69096-001		RESTRICTED TO: -	
<ul style="list-style-type: none"> Ø PLC ± - 1 PLC ± - 2 PLC ± - 3 PLC ± - 4 PLC ± - ANGLES ± - 		APPLICATION SPEC: -		SIZE: A3	
MATERIAL: -		APPROX. WEIGHT: 1 kg		CAGE CODE: 00079	
FINISH: -		CUSTOMER DRAWING		DRAWING NO: C=2368412	
		SCALE: 1/2		SHEET: 1 of 1	
				REV: A	