

4

3

2

1

THIS DRAWING IS UNPUBLISHED.

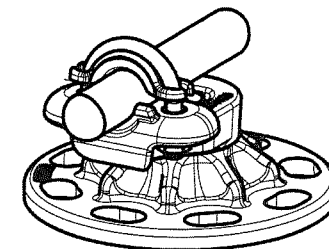
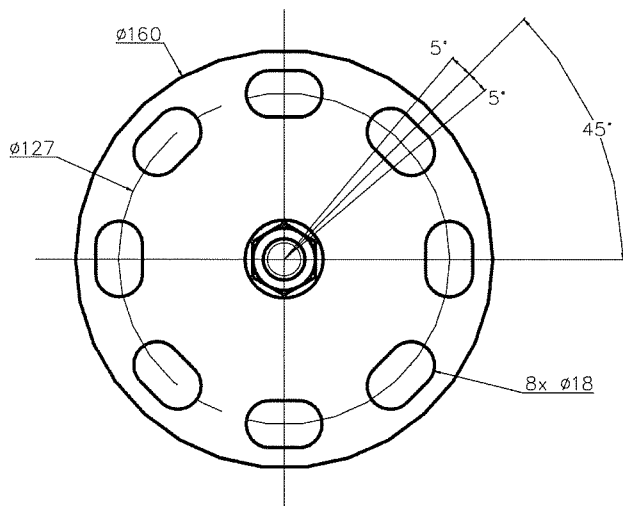
RELEASED FOR PUBLICATION

© COPYRIGHT - By -

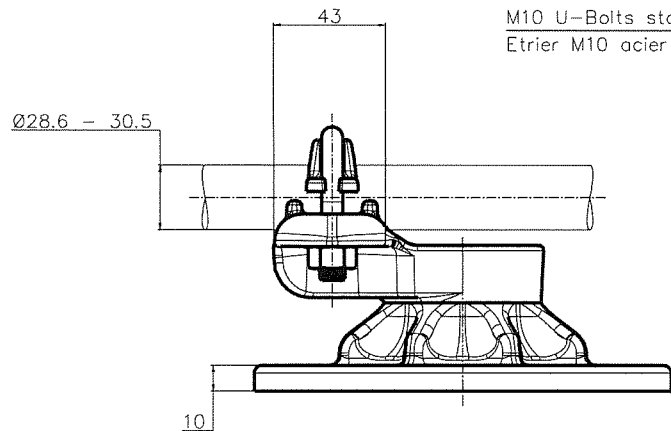
ALL RIGHTS RESERVED.

REVISIONS

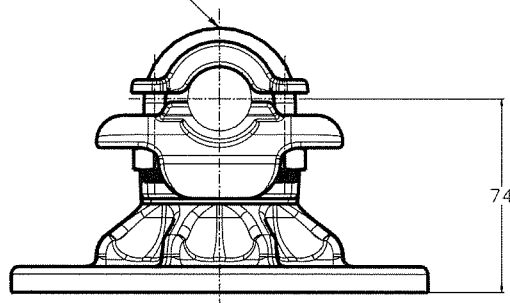
P	LR	DESCRIPTION	DATE	DWN	APVD
A		CREATION	20-Fev-17	TC	-



No scale - sans echelle



M10 U-Bolts stainless steel A4: 37Nm  
 Etrier M10 acier inoxydable A4: 37Nm



THIS DRAWING IS A CONTROLLED DOCUMENT.		DWN	20-Fev-17		TE Connectivity						
		CHK	CHARTON								
DIMENSIONS:		TOLERANCES UNLESS OTHERWISE SPECIFIED:		NAME							
mm		0 PLC ± -		Single conductor support on P5 BPI							
		1 PLC ± -		Support de câble sur ISO P5							
		2 PLC ± -		5 CS 84 P5 S305							
		3 PLC ± -		SIZE		CAGE CODE	DRAWING NO	RESTRICTED TO			
		4 PLC ± -		A3		-	C=2314476	-			
MATERIAL		FINISH		APPROX WEIGHT		SCALE		SHEET		REV	
-		-		1 kg		1/2		1 of 1		A	
CUSTOMER DRAWING											

ITEM:.....