

4

3

2

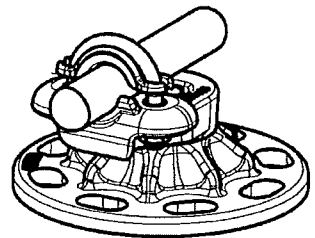
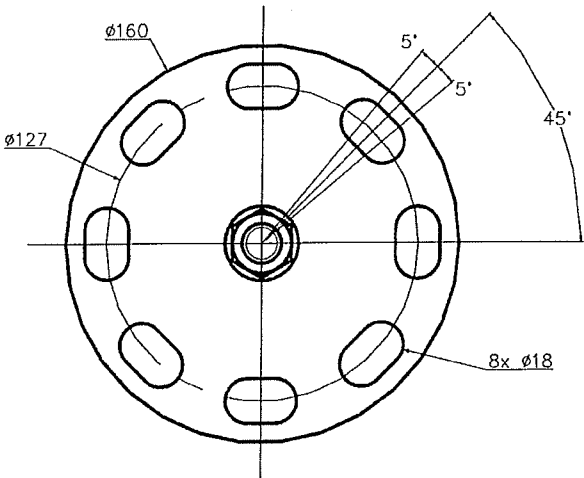
1

THIS DRAWING IS UNPUBLISHED. RELEASED FOR PUBLICATION ALL RIGHTS RESERVED.

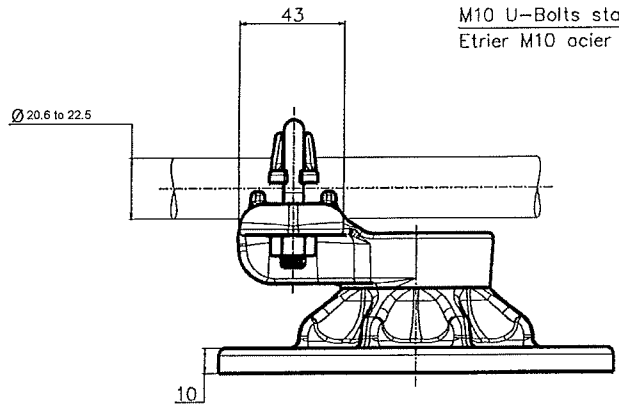
© COPYRIGHT -- By --

REVISIONS

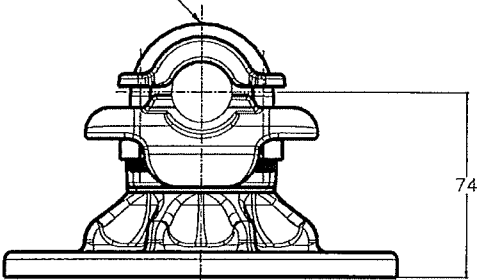
P	LIR	DESCRIPTION	DATE	DW	APVD
	A	CREATION	18-Sep-17	MP	--



No scale - sans echelle



M10 U-Bolts stainless steel A4: 37Nm  
Etrier M10 acier inoxydable A4: 37Nm



THIS DRAWING IS A CONTROLLED DOCUMENT.		DW: 18-Sep-17	<b>STE</b> TE Connectivity																			
DIMENSIONS: mm		CHK: --																				
TOLERANCES UNLESS OTHERWISE SPECIFIED:		APVD: --	NAME: Single conductor support on BPI Support de câble sur ISO 5 CS 84 P5 S225																			
<table border="1"> <tr><td>0 PLC</td><td>±</td><td>-</td></tr> <tr><td>1 PLC</td><td>±</td><td>-</td></tr> <tr><td>2 PLC</td><td>±</td><td>-</td></tr> <tr><td>3 PLC</td><td>±</td><td>-</td></tr> <tr><td>4 PLC</td><td>±</td><td>-</td></tr> <tr><td>ANGLES</td><td>±</td><td>-</td></tr> </table>		0 PLC	±	-	1 PLC	±	-	2 PLC	±	-	3 PLC	±	-	4 PLC	±	-	ANGLES	±	-	PRODUCT SPEC: 108-69096-001	SIZE: A3	CAGE CODE: --
0 PLC	±	-																				
1 PLC	±	-																				
2 PLC	±	-																				
3 PLC	±	-																				
4 PLC	±	-																				
ANGLES	±	-																				
MATERIAL: --		APPLICATION SPEC: --	DRAWING NO: C=2323806	RESTRICTED TO: --																		
FINISH: --		APPROX. WEIGHT: 1 kg	CUSTOMER DRAWING																			
		SCALE: 1/2	SHEET: 1 of 1	REV: A																		

ITEM: 20