

4

3

2

1

THIS DRAWING IS UNPUBLISHED.

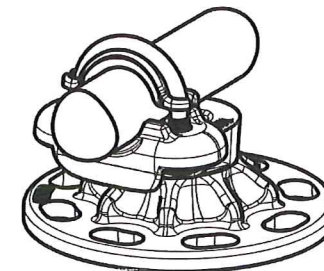
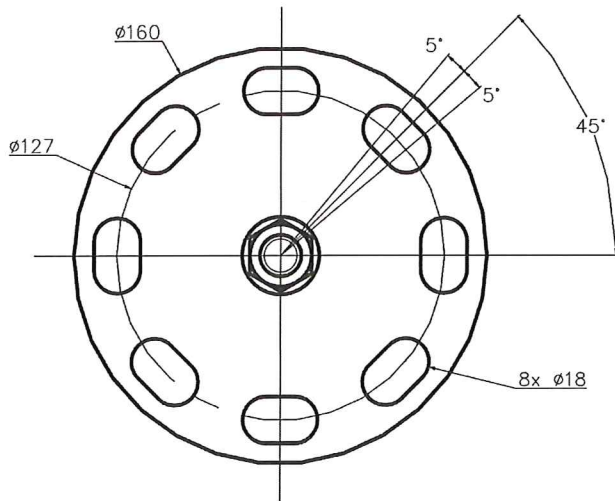
RELEASED FOR PUBLICATION

© COPYRIGHT - By -

ALL RIGHTS RESERVED.

REVISIONS

P	LTR	DESCRIPTION	DATE	DWN	APVD
A		CREATION	20-Fev-17	TC	-

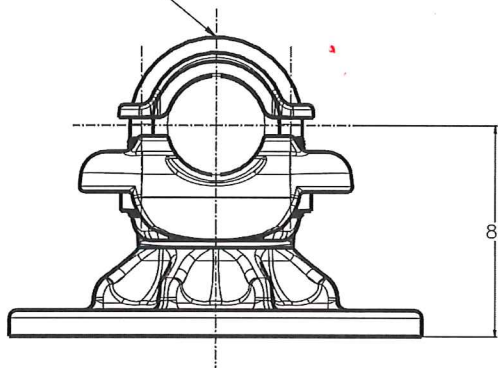
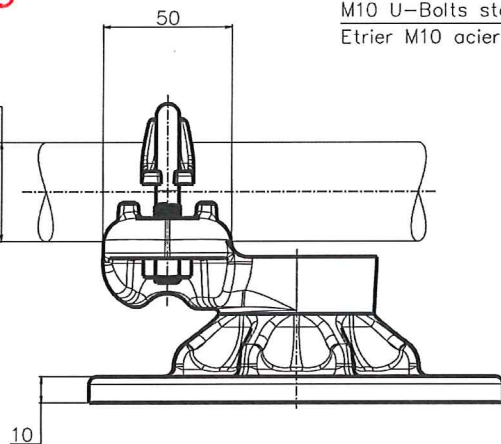


No scale - sans echelle

φ38,6 - 49,5

~~φ36.6 - 38.5~~

M10 U-Bolts stainless steel A4: 37Nm
Etrier M10 acier inoxydable A4: 37Nm



THIS DRAWING IS A CONTROLLED DOCUMENT.		DWN CHARTON	20-Fev-17	TE TE Connectivity	
DIMENSIONS: mm		CHK -	APVD -		
TOLERANCES UNLESS OTHERWISE SPECIFIED:		PRODUCT SPEC 108-69096-001		Single conductor support on BPI Support de câble sur ISO 5 CS 84 P5 M385 <i>1/405</i>	
<ul style="list-style-type: none"> 0 PLC ± - 1 PLC ± - 2 PLC ± - 3 PLC ± - 4 PLC ± - ANGLES ± - 		APPLICATION SPEC -		SIZE A3	CAGE CODE -
MATERIAL -		APPROX. WEIGHT 1.2 kg		DRAWING NO C=2314473	
FINISH -		CUSTOMER DRAWING		RESTRICTED TO -	SCALE 1/2
				SHEET 1 of 1	REV A

ITEM: *4A*