

4

3

2

1

THIS DRAWING IS UNPUBLISHED.

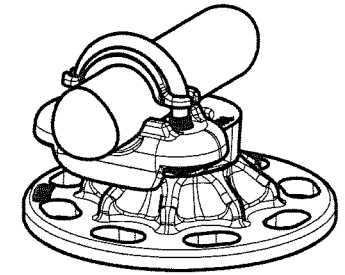
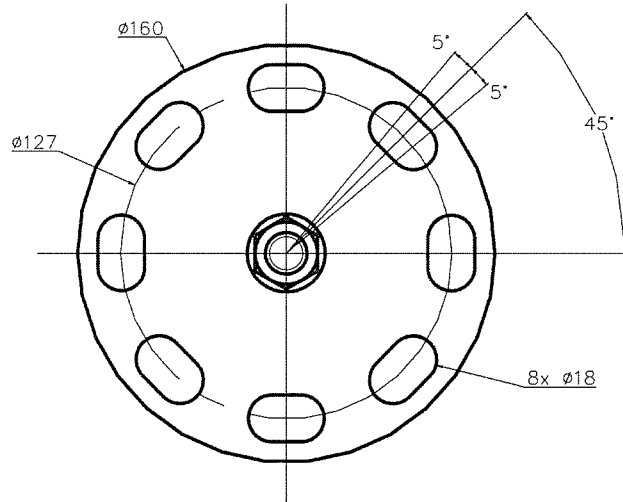
RELEASED FOR PUBLICATION

© COPYRIGHT - By -

ALL RIGHTS RESERVED.

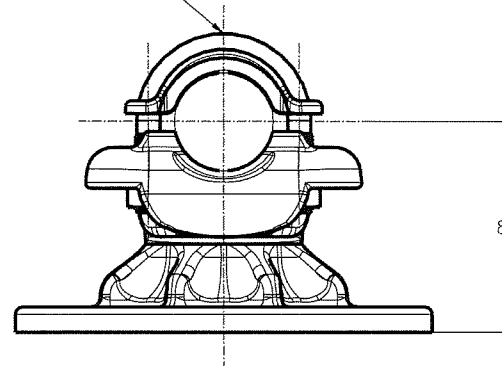
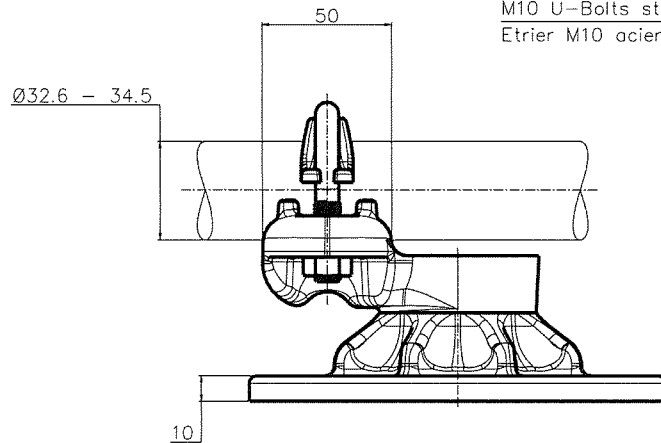
REVISIONS

P	LMR	DESCRIPTION	DATE	DM	APVD
	A	CREATION	19-OCT-17	GL	--



No scale - sans echelle

M10 U-Bolts stainless steel A4: 37Nm
 Etrier M10 acier inoxydable A4: 37Nm



THIS DRAWING IS A CONTROLLED DOCUMENT.		OWN LAForge	19-OCT-17	TE TE Connectivity	
DIMENSIONS: mm		CHK --	APVD --		
TOLERANCES UNLESS OTHERWISE SPECIFIED:		PRODUCT SPEC		DRAWING NO	
0 PLC ± -		108-69096-001		C-2326839	
1 PLC ± -		APPLICATION SPEC		RESTRICTED TO	
2 PLC ± -		--		--	
3 PLC ± -		APPROX. WEIGHT 1.2 kg		SCALE 1/2	
4 PLC ± -		CUSTOMER DRAWING		SHEET 1 OF 1	
ANGLES ± -		FINISH		REV A	
MATERIAL		FINISH		REV A	

ITEM:.....