

THIS DRAWING IS UNPUBLISHED.

RELEASED FOR PUBLICATION

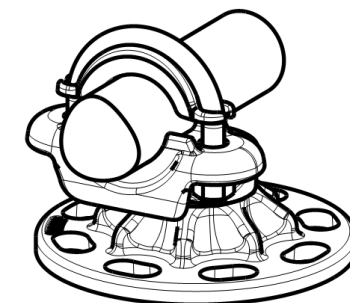
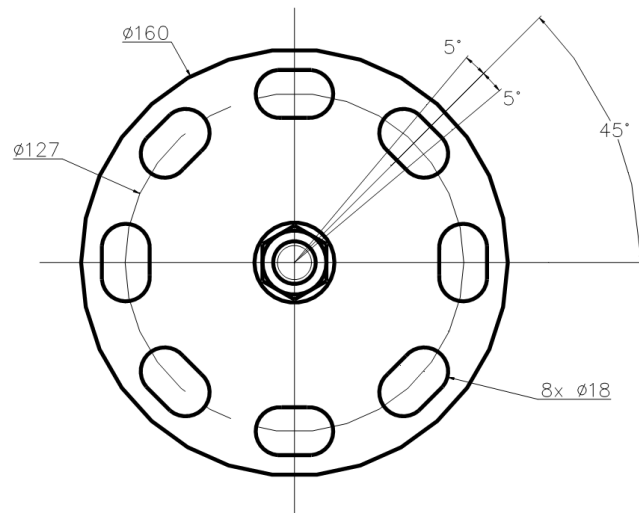
---

© COPYRIGHT -- By --

ALL RIGHTS RESERVED.

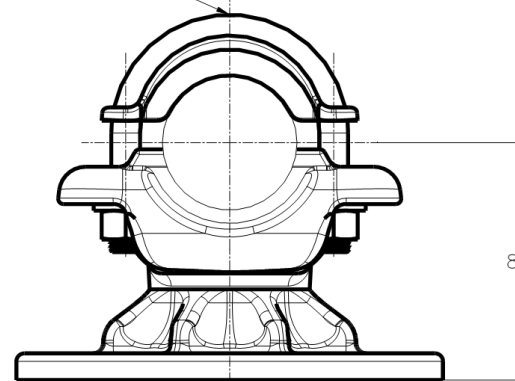
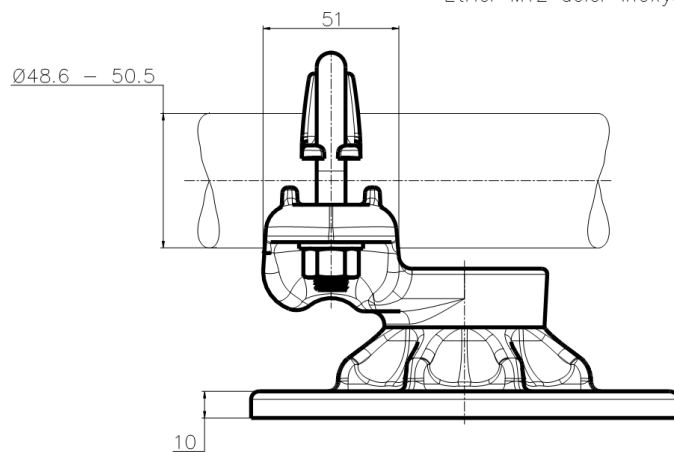
REVISIONS

P	LTR	DESCRIPTION	DATE	DWN	APVD
A		CREATION	20-NOV-17	BH	-



No scale - sans echelle

M12 U-Bolts stainless steel A4: 60Nm  
 Etrier M12 acier inoxydable A4: 60Nm



THIS DRAWING IS A CONTROLLED DOCUMENT.

DWN HUARD 20-Nov-17



DIMENSIONS:  
mm

TOLERANCES UNLESS OTHERWISE SPECIFIED:



- 0 PLC ± -
- 1 PLC ± -
- 2 PLC ± -
- 3 PLC ± -
- 4 PLC ± -
- ANGLES ± -

MATERIAL -

FINISH -

CHK -

APVD -

PRODUCT SPEC

108-69096-001

APPLICATION SPEC

APPROX. WEIGHT 1.3 kg

CUSTOMER DRAWING

NAME  
 Single conductor support on BPI  
 Support de câble sur ISO  
 5 CS 84 P5 L505

SIZE	CAGE CODE	DRAWING NO	RESTRICTED TO
A3	-	©=2327953	-

SCALE	SHEET	OF	REV
1/2	1	1	A

ITEM: 1