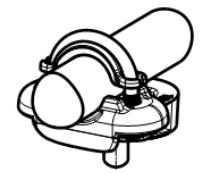
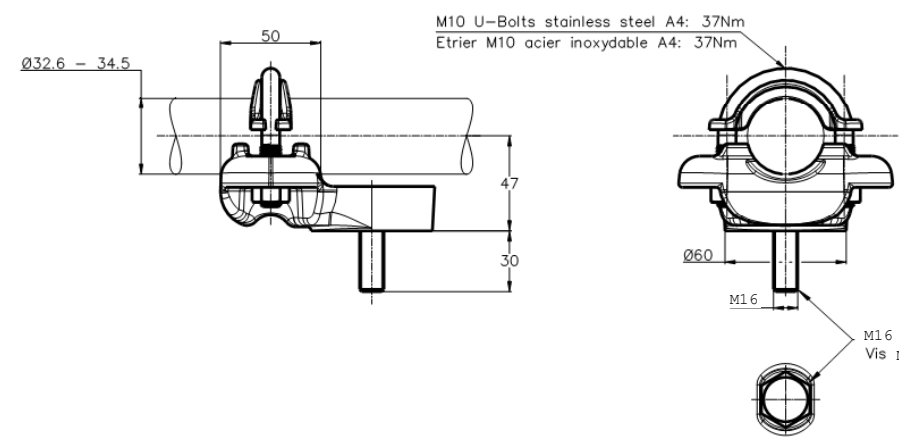


THIS DRAWING IS UNPUBLISHED. RELEASED FOR PUBLICATION
 © COPYRIGHT - By - ALL RIGHTS RESERVED.

REVISIONS					
P	LTR	DESCRIPTION	DATE	DWI	APVD
A		CREATION	20-NOV-17	BH	-



No scale - sans echelle



THIS DRAWING IS A CONTROLLED DOCUMENT.		DWI	20-Nov-17	STE TE Connectivity	
DIMENSIONS: mm		CHK	-		
TOLERANCES UNLESS OTHERWISE SPECIFIED:		APVD	-	NAME	
1 PLC ± -		PRODUCT SPEC		Single conductor support on BPI	
2 PLC ± -		108-69096-001		Support de câble sur ISO	
3 PLC ± -		APPLICATION SPEC		5 CS 84 M16 M345	
4 PLC ± -		SIZE	CAGE CODE	DRAWING NO	RESTRICTED TO
ANGLES ± -		APPROX. WEIGHT	A.3	C=2327962	-
MATERIAL	FINISH	CUSTOMER DRAWING		SCALE	SHEET
-	-	0.7 kg		1/2	1 of 1
ITEM:.....				REV	A