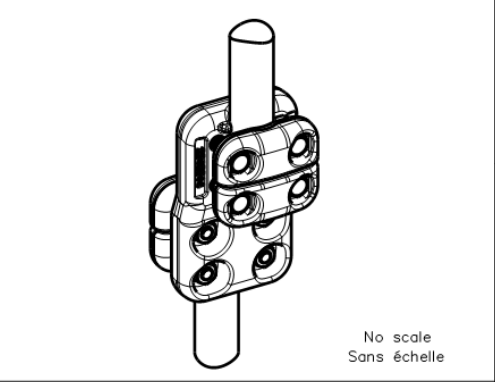
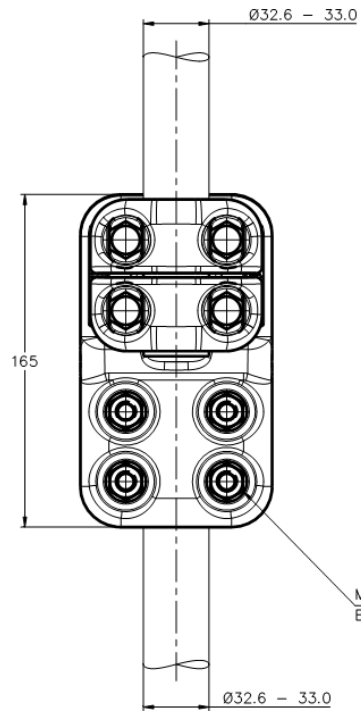
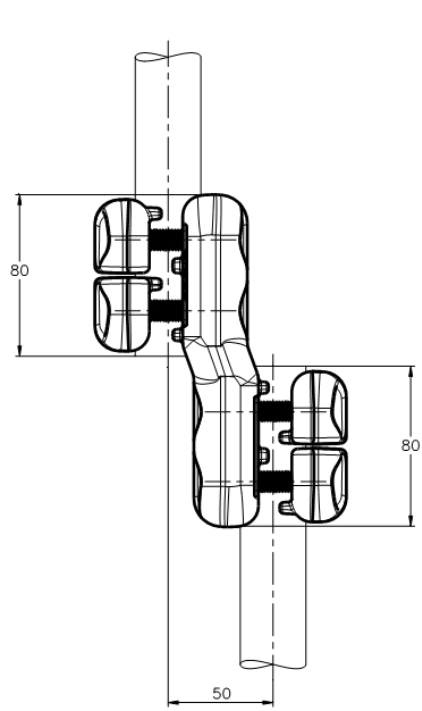


REVISIONS					
P	LTR	DESCRIPTION	DATE	DWI	APVD
A		CREATION	30APR2020	MP	



M10 Bolts stainless steel A2: 37Nm
Boulons M10 acier inoxydable A2: 37Nm

Current flow: 1000A maxi
Courant transité: 1000A maxi

ITEM:.....

THIS DRAWING IS A CONTROLLED DOCUMENT.		DWI	PREVOT	30APR2020	STE TE Connectivity		
DIMENSIONS: mm		CHK	-	-			
TOLERANCES UNLESS OTHERWISE SPECIFIED:		APVD	-	-	PRODUCT SPEC		
0 PLC ± -		APPLICATION SPEC			STRAIGHT CONNECTOR		
1 PLC ± -		108-69096-001			RACCORD DROIT		
2 PLC ± -		SIZE			5 CJ 82 S330 (1000A-MAVIR)		
3 PLC ± -		CAGE CODE			DRAWING NO		
4 PLC ± -		A3 00779			C=2373305		
ANGLES ± -		RESTRICTED TO			-		
MATERIAL		WEIGHT			1.7 kg		
FINISH		CUSTOMER DRAWING			SCALE 1:2		
		SHEET			1 of 1		
		REV			A		