

4

3

2

1

THIS DRAWING IS UNPUBLISHED.

RELEASED FOR PUBLICATION

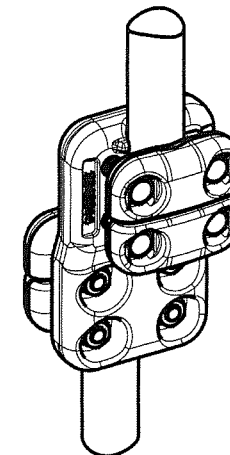
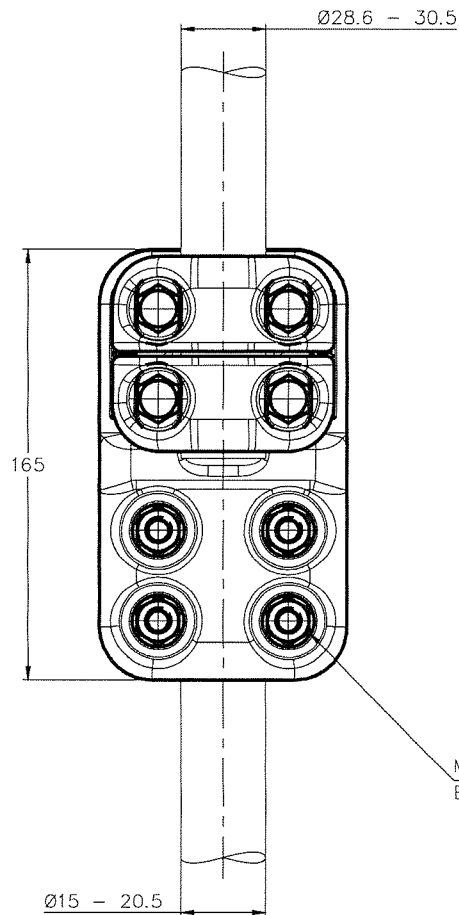
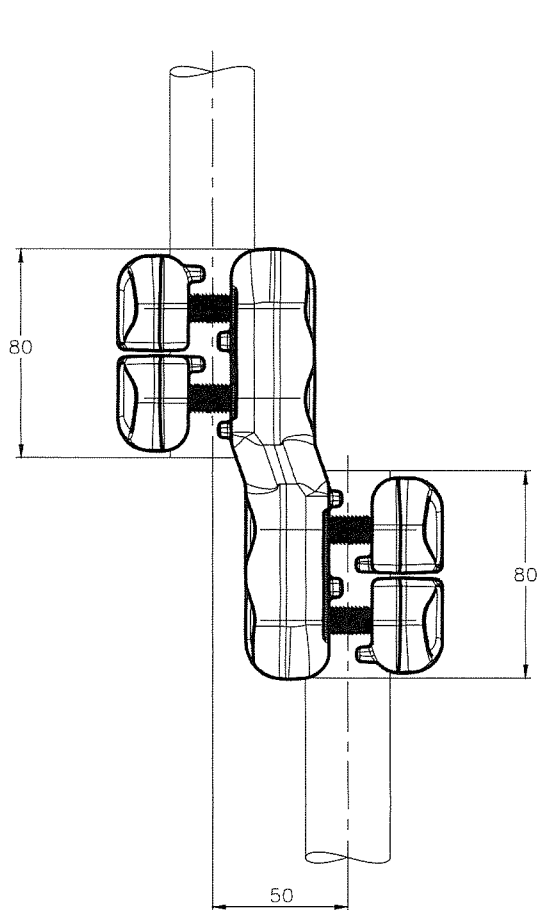
- . - .

© COPYRIGHT - By -

ALL RIGHTS RESERVED.

REVISIONS

P	LTR	DESCRIPTION	DATE	DWN	APVD
	A	CREATION	28-APR-18	MT	-



No scale  
Sans échelle

M10 Bolts stainless steel A2: 37Nm  
Boulons M10 acier inoxydable A2: 37Nm

THIS DRAWING IS A CONTROLLED DOCUMENT.		DWN TALPIN	26-APR-18		
DIMENSIONS: mm		CHK ---	APVD ---		
TOLERANCES UNLESS OTHERWISE SPECIFIED:		PRODUCT SPEC	108-69096-001		SIZE A3
0 PLC ± -		APPLICATION SPEC	5 CJ 82 S305 S205		CAGE CODE 00779
1 PLC ± -		---	DRAWING NO C-2332303		DRAWING NO C-2332303
2 PLC ± -		MATERIAL	APPROX. WEIGHT 1.7 kg		RESTRICTED TO -
3 PLC ± -		FINISH	CUSTOMER DRAWING		SCALE 1:2
4 PLC ± -		---	SHEET 1 OF 1		REV A
ANGLES ± -		---	---		---

ITEM:.....