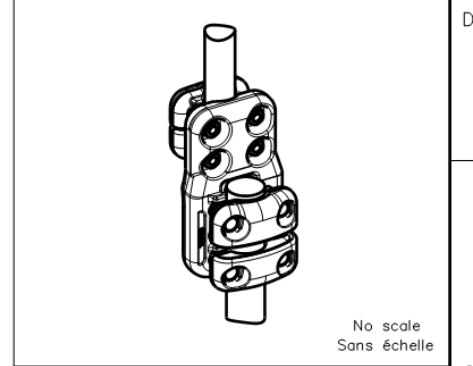
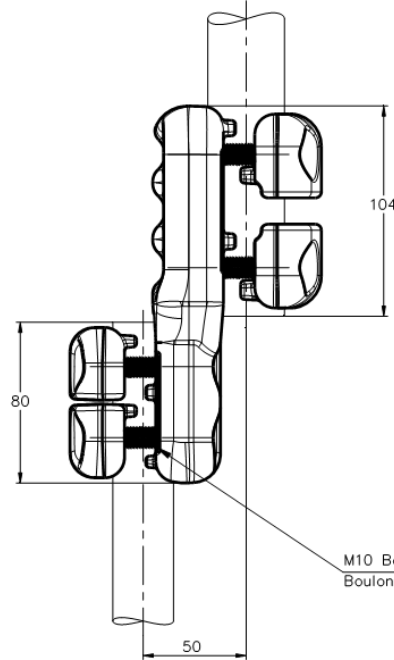
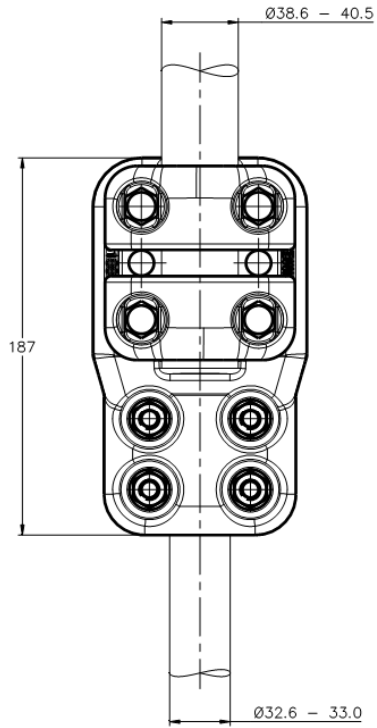


THIS DRAWING IS UNPUBLISHED. RELEASED FOR PUBLICATION  
 © COPYRIGHT - By - ALL RIGHTS RESERVED.

REVISIONS					
P	LR	DESCRIPTION	DATE	DWI	APVD
A		CREATION	23-JAN-20	GL	-



M10 Bolts stainless steel A2: 37Nm  
 Boulons M10 acier inoxydable A2: 37Nm

Current flow: 1000A maxi  
 Courant transité: 1000A maxi

THIS DRAWING IS A CONTROLLED DOCUMENT.		DWI: LAFORGE	23-JAN-20	<b>STE</b> TE Connectivity	
DIMENSIONS: mm		CHK: -	APVD: -		
TOLERANCES UNLESS OTHERWISE SPECIFIED:		PRODUCT SPEC: 108-69096-001		SIZE: 5 CJ 82 M405 S330	
<ul style="list-style-type: none"> <li>Ø PLC ± -</li> <li>1 PLC ± -</li> <li>2 PLC ± -</li> <li>3 PLC ± -</li> <li>4 PLC ± -</li> <li>ANGLES ± -</li> </ul>		APPLICATION SPEC: -		RESTRICTED TO: -	
MATERIAL: -		APPROX. WEIGHT: 1.9 kg		DRAWING NO: A3 00779 C=2368411	
FINISH: -		CUSTOMER DRAWING		SCALE: 1:2	SHEET: 1 of 1

ITEM:.....