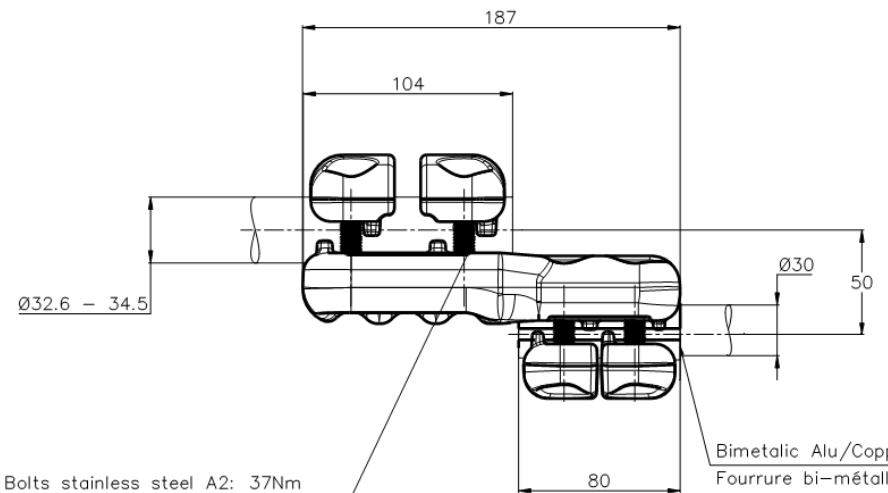
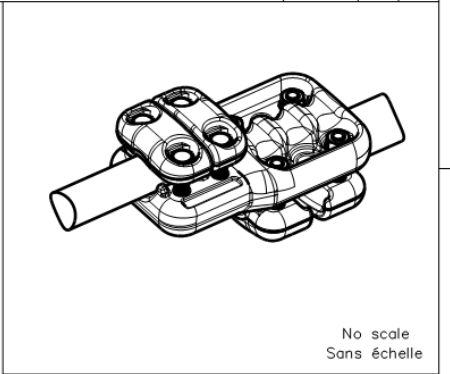


REVISIONS					
P	LTR	DESCRIPTION	DATE	DWN	APVD
A		CREATION	19-JAN-21	MP	-



M10 Bolts stainless steel A2: 37Nm
Boulons M10 acier inoxydable A2: 37Nm

Bimetalic Alu/Copper sleeve 32Dia x30
Fourrure bi-métallique alu/cuivre Ø32x30

THIS DRAWING IS A CONTROLLED DOCUMENT.		DWN PREVOI	19-JAN-21	STE TE Connectivity													
DIMENSIONS: mm		CHK -	APVD -			NAME Tee connector twin to Stud Connecteur en T faisceau double sur Borne 5 CJ 82 M345 SK305											
TOLERANCES UNLESS OTHERWISE SPECIFIED:		PRODUCT SPEC 108-69096-001		RESTRICTED TO -													
<table border="1"> <tr><td>0 PLC</td><td>± -</td></tr> <tr><td>1 PLC</td><td>± -</td></tr> <tr><td>2 PLC</td><td>± -</td></tr> <tr><td>3 PLC</td><td>± -</td></tr> <tr><td>4 PLC</td><td>± -</td></tr> <tr><td>ANGLES</td><td>± -</td></tr> </table>		0 PLC	± -	1 PLC	± -	2 PLC	± -	3 PLC	± -	4 PLC	± -	ANGLES	± -	APPLICATION SPEC -		SIZE A3	CAGE CODE 00779
0 PLC	± -																
1 PLC	± -																
2 PLC	± -																
3 PLC	± -																
4 PLC	± -																
ANGLES	± -																
MATERIAL -		FINISH -		DRAWING NO C=2385745													
		WEIGHT 1.95 kg		CUSTOMER DRAWING													
		SCALE 1:2		SHEET 1 of 1													
				REV A													