

4

3

2

1

THIS DRAWING IS UNPUBLISHED.

RELEASED FOR PUBLICATION

© COPYRIGHT - By -

ALL RIGHTS RESERVED.

REVISIONS

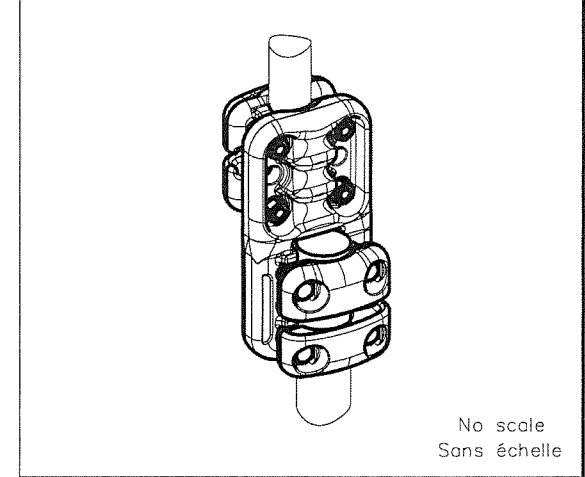
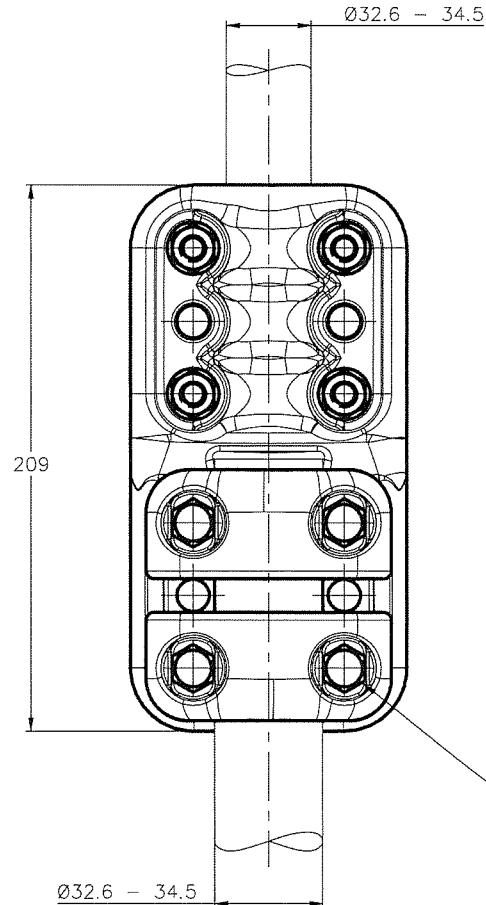
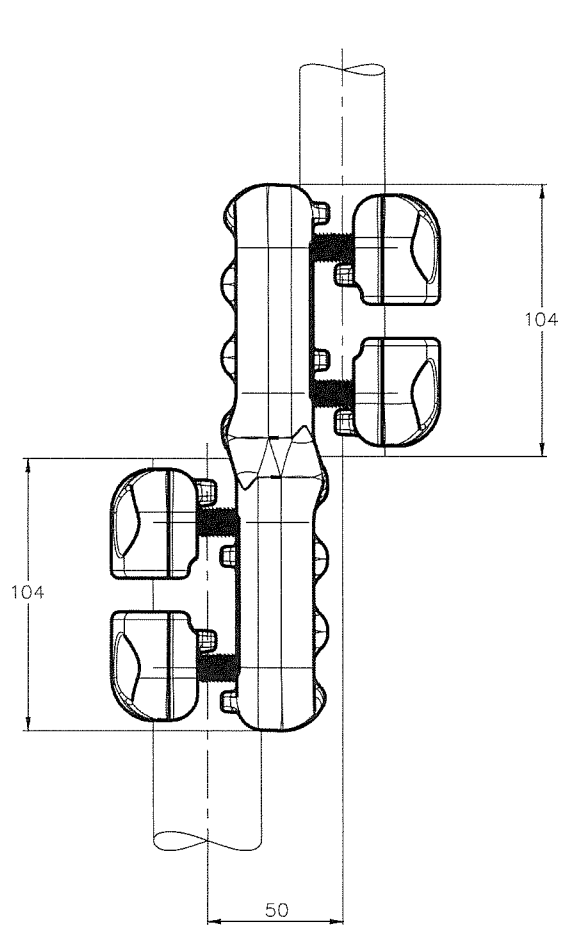
P	LTR	DESCRIPTION	DATE	OWN	APVD
A		CREATION	05-MAR-20	BH	-

D

C

B

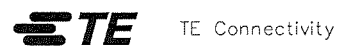
A



M10 Bolts stainless steel A2: 37Nm
 Boulons M10 acier inoxydable A2: 37Nm

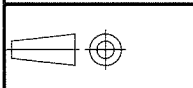
THIS DRAWING IS A CONTROLLED DOCUMENT.

DWN 05-MAR-20
HUARD



DIMENSIONS:
mm

TOLERANCES UNLESS OTHERWISE SPECIFIED:



- 0 PLC ± -
- 1 PLC ± -
- 2 PLC ± -
- 3 PLC ± -
- 4 PLC ± -
- ANGLES ± -

CHK -

APVD -

PRODUCT SPEC

108-69096-001

APPLICATION SPEC

NAME STRAIGHT CONNECTOR

RACCORD DROIT

5 CJ 82 M345

SIZE CAGE CODE DRAWING NO RESTRICTED TO

MATERIAL -

FINISH -

APPROX.WEIGHT 2.1 kg

A3 00779 C=2370676

CUSTOMER DRAWING SCALE 1:2 SHEET 1 of 1 REV A

ITEM:.....