

4

3

2

1

THIS DRAWING IS UNPUBLISHED.

RELEASED FOR PUBLICATION

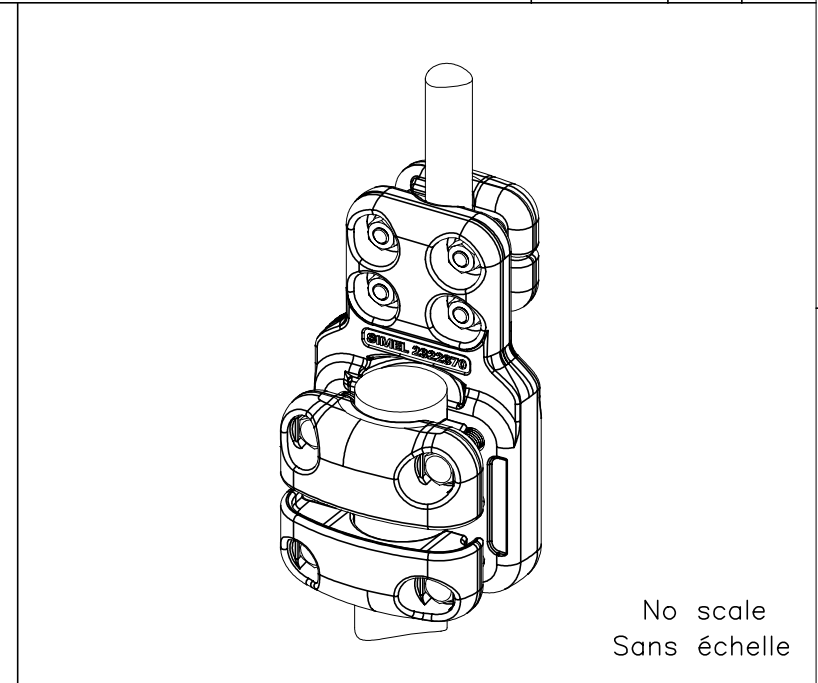
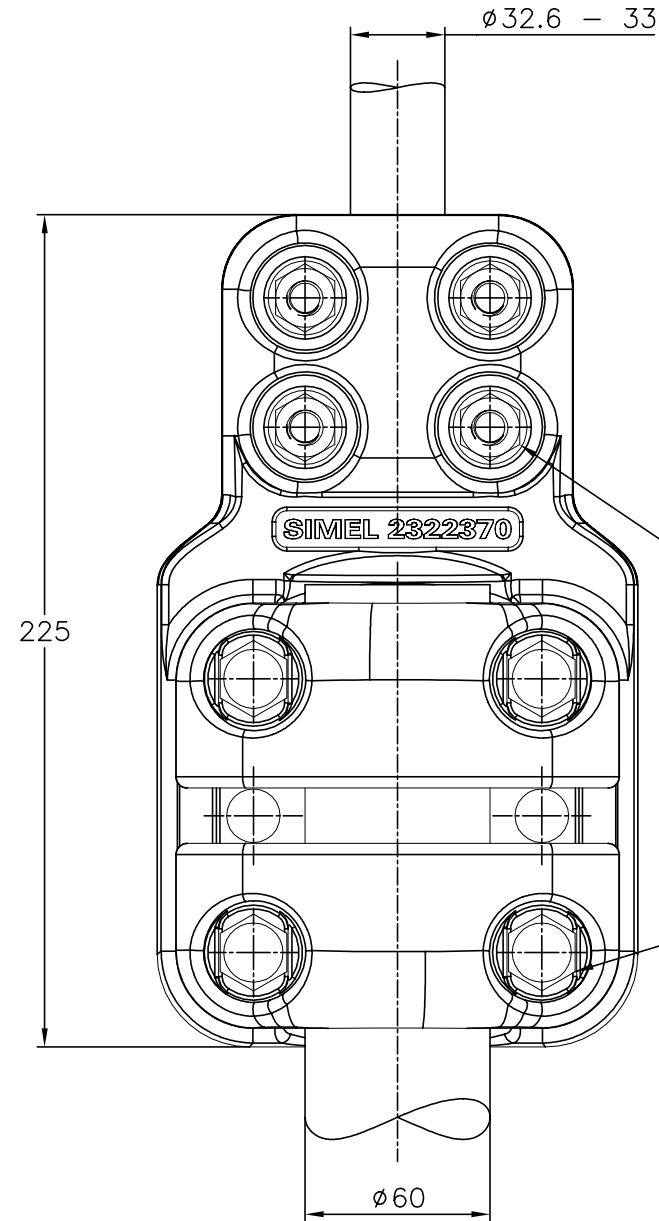
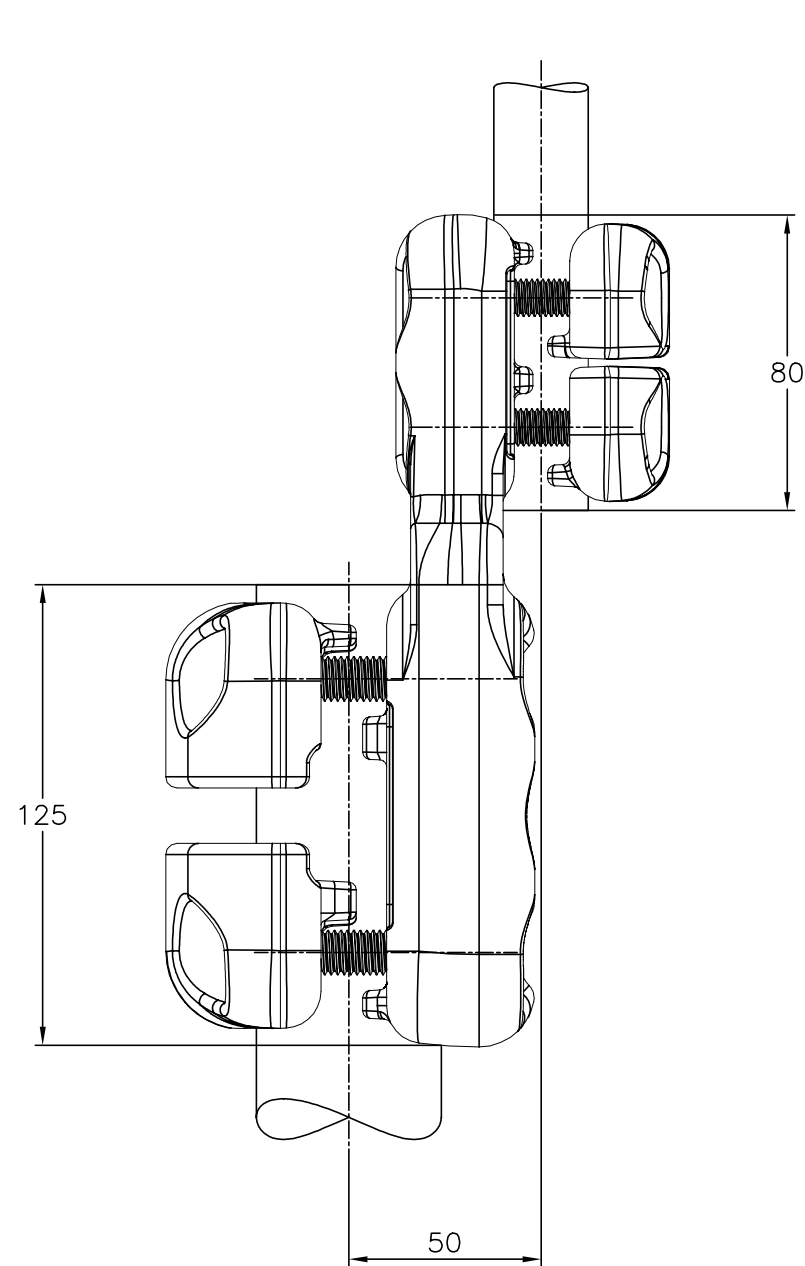
-, -

ALL RIGHTS RESERVED.

© COPYRIGHT - By -

REVISIONS

P	LTR	DESCRIPTION	DATE	DWN	APVD
	A	CREATION	07-JUL-20	BH	-



M10 Bolts stainless steel A2: 37Nm
Boulons M10 acier inoxydable A2: 37Nm

M12 Bolts stainless steel A2: 60Nm
Boulons M12 acier inoxydable A2: 60Nm

Derivative current: 1000A maxi
Courant dérivé:

THIS DRAWING IS A CONTROLLED DOCUMENT.		DWN	HUARD	07-Jul-20	TE TE Connectivity		
DIMENSIONS: mm		CHK	-	-			
TOLERANCES UNLESS OTHERWISE SPECIFIED:		APVD	-	-	SIZE A3		
0 PLC ± -		PRODUCT SPEC	108-69096-001	CAGE CODE			
1 PLC ± -		APPLICATION SPEC	-	RESTRICTED TO	-		
2 PLC ± -		APPROX.WEIGHT	2.9 kg	SCALE	1:2	SHEET	1 of 1
3 PLC ± -		CUSTOMER DRAWING	-	REV	A		
4 PLC ± -							
ANGLES ± -							
FINISH -							

ITEM:.....