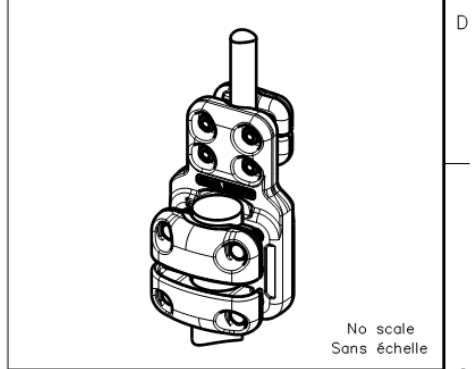
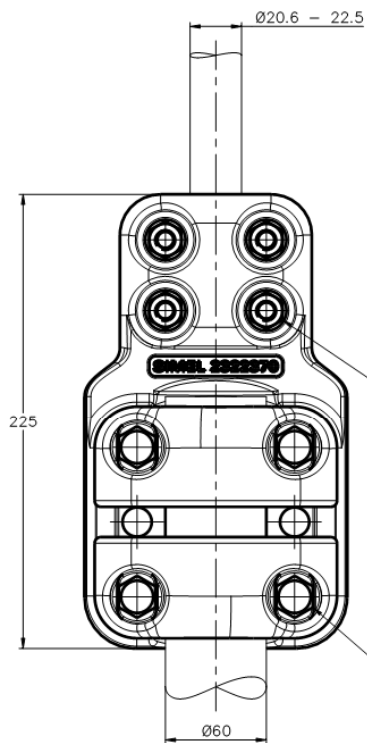
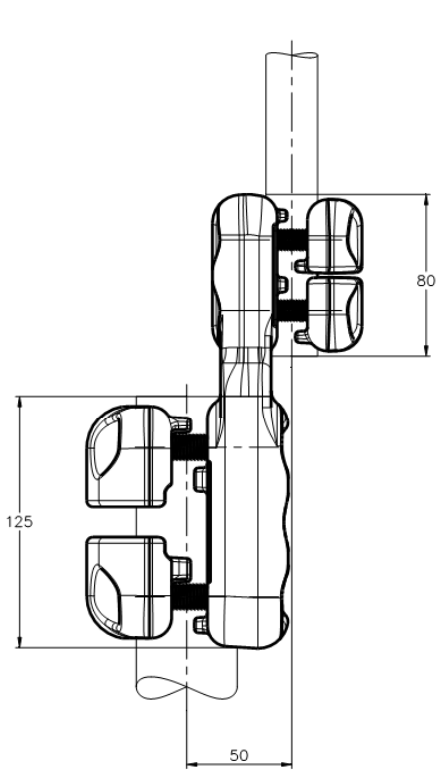


THIS DRAWING IS UNPUBLISHED. RELEASED FOR PUBLICATION
 © COPYRIGHT - By - ALL RIGHTS RESERVED.

REVISIONS					
P	LTR	DESCRIPTION	DATE	DWI	APVD
A		CREATION	27-APR-18	MT	-



No scale
 Sans échelle

M10 Bolts stainless steel A2: 37Nm
 Boulons M10 acier inoxydable A2: 37Nm

M12 Bolts stainless steel A2: 60Nm
 Boulons M12 acier inoxydable A2: 60Nm

ITEM:.....

THIS DRAWING IS A CONTROLLED DOCUMENT.		DWI	TALPIN		27-APR-18
DIMENSIONS:		CHK	-		
mm		APVD	-		
TOLERANCES UNLESS OTHERWISE SPECIFIED:		PRODUCT SPEC	-		
0 PLC ± -		APPLICATION SPEC	-		
1 PLC ± -		SIZE	CAGE CODE	DRAWING NO	RESTRICTED TO
2 PLC ± -		108-69096-001	A3	00779	C=2334649
3 PLC ± -		APPROX. WEIGHT	2.9 kg		-
4 PLC ± -		CUSTOMER DRAWING	SCALE	1:2	SHEET 1 of 1
ANGLES ± -		MATERIAL	-		
FINISH		-			



NAME STRAIGHT CONNECTOR
 RACCORD DROIT
 5 CJ 82 L605 S225