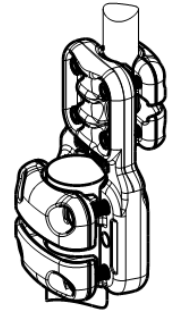
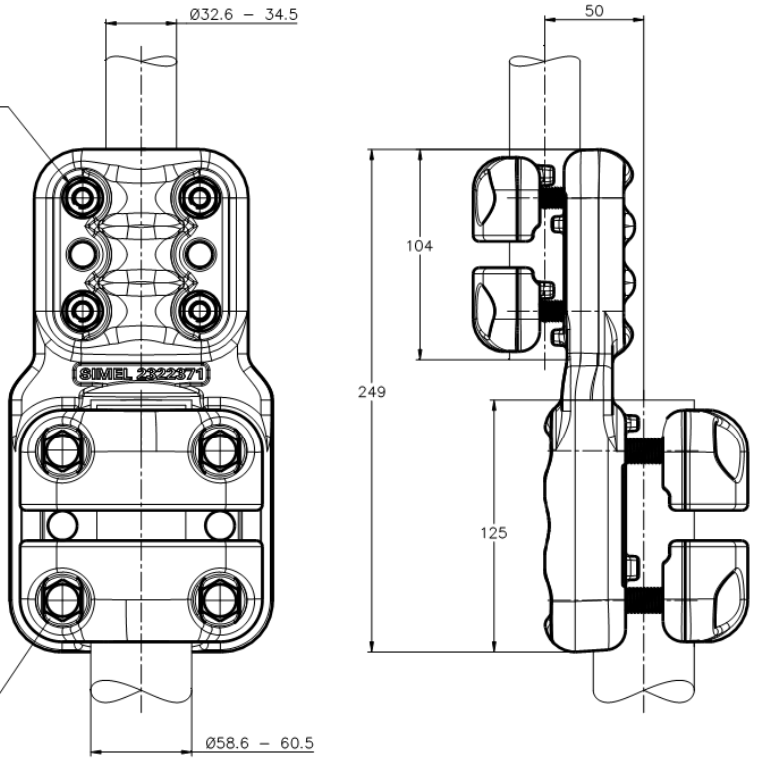


THIS DRAWING IS UNPUBLISHED. RELEASED FOR PUBLICATION
 © COPYRIGHT - By - ALL RIGHTS RESERVED.

REVISIONS					
P	LTR	DESCRIPTION	DATE	DWI	APVD
A		CREATION	27-APR-18	MT	-

M10 Bolts stainless steel A2: 37Nm
 Boulons M10 acier inoxydable A2: 37Nm

M12 Bolts stainless steel A2: 60Nm
 Boulons M12 acier inoxydable A2: 60Nm



No scale
 Sans échelle

ITEM:.....

THIS DRAWING IS A CONTROLLED DOCUMENT.		DWI TALPIN 27-APR-18	TE Connectivity STRAIGHT CONNECTOR RACCORD DROIT 5 CJ 82 L605 M345		
DIMENSIONS: mm		CHK -			
TOLERANCES UNLESS OTHERWISE SPECIFIED:		PRODUCT SPEC 108-69096-001		RESTRICTED TO	
0 PLC ± - 1 PLC ± - 2 PLC ± - 3 PLC ± - 4 PLC ± - ANGLES ± -		APPLICATION SPEC -		SIZE CAGE CODE DRAWING NO	
MATERIAL -		APPROX. WEIGHT 3.4 kg		A3 00779 C=2334657	
FINISH -		CUSTOMER DRAWING		SCALE 1:2 SHEET 1 of 1 REV A	