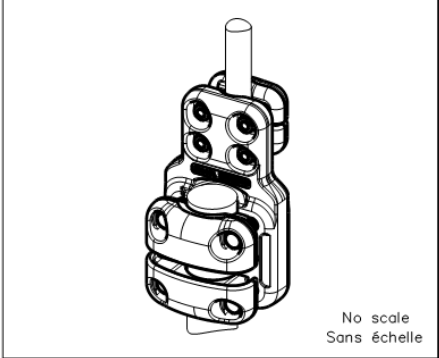
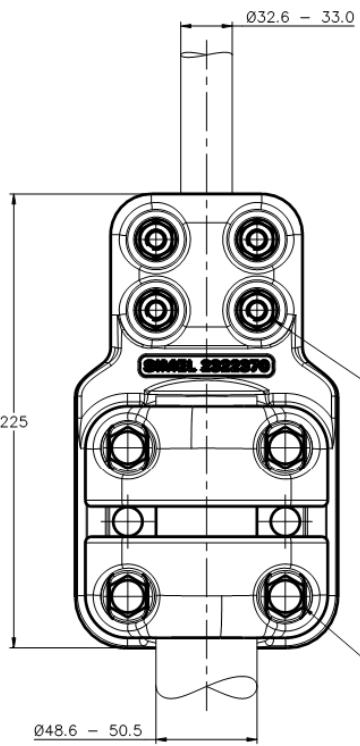
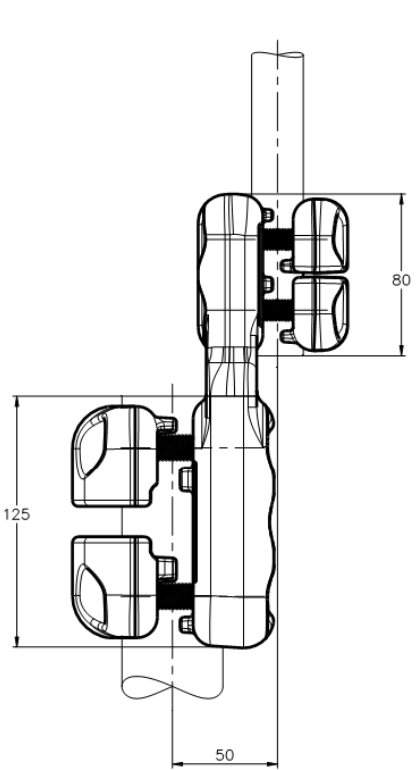


THIS DRAWING IS UNPUBLISHED. RELEASED FOR PUBLICATION
 © COPYRIGHT - By - ALL RIGHTS RESERVED.

REVISIONS					
P	LTR	DESCRIPTION	DATE	DWI	APVD
A		CREATION	23-JAN-20	GL	-



M10 Bolts stainless steel A2: 37Nm
 Boulons M10 acier inoxydable A2: 37Nm

M12 Bolts stainless steel A2: 60Nm
 Boulons M12 acier inoxydable A2: 60Nm

Current flow: 1000A maxi
 Courant transité: 1000A maxi

ITEM:.....

THIS DRAWING IS A CONTROLLED DOCUMENT.		DWI: LAFORGE	23-JAN-20	STE TE Connectivity	
DIMENSIONS: mm		CHK: -	APVD: -		
TOLERANCES UNLESS OTHERWISE SPECIFIED:		PRODUCT SPEC		RACCORD DROIT	
0 PLC ± -		108-69096-001		5 CJ 82 L505 S330	
1 PLC ± -		APPLICATION SPEC		RESTRICTED TO	
2 PLC ± -		-		-	
3 PLC ± -		APPROX. WEIGHT 2.7 kg		SIZE CAGE CODE DRAWING NO	
4 PLC ± -		A3 00779		C=2368410	
ANGLES ± -		CUSTOMER DRAWING		SCALE 1:2 SHEET 1 of 1 REV A	
MATERIAL: -		FINISH: -			