

4

3

2

1

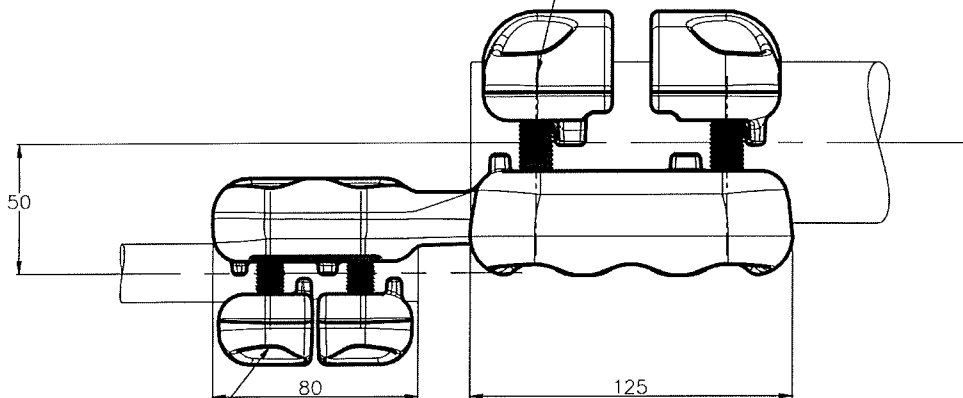
THIS DRAWING IS UNPUBLISHED. RELEASED FOR PUBLICATION  
ALL RIGHTS RESERVED.

© COPYRIGHT - By -

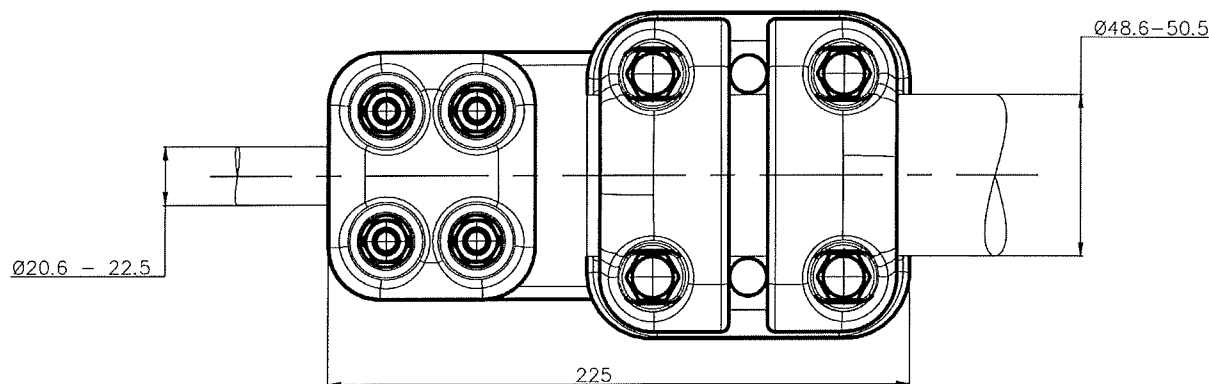
REVISIONS

P	LR	DESCRIPTION	DATE	DM	APVD
A		CREATION	17-NOV-17	BH	-

M12 Bolts stainless steel A2: 60Nm  
Boulons M12 acier inoxydable A2: 60Nm



M10 Bolts stainless steel A2: 37Nm  
Boulons M10 acier inoxydable A2: 37Nm



THIS DRAWING IS A CONTROLLED DOCUMENT.		DM HUARD	17-Nov-17	<b>TE</b> TE Connectivity	
DIMENSIONS: mm		CHK -	APVD -		
TOLERANCES UNLESS OTHERWISE SPECIFIED:		PRODUCT SPEC 108-69096-001		5 CJ 82 L505 S225	
<ul style="list-style-type: none"> <li>0 PLC ± -</li> <li>1 PLC ± -</li> <li>2 PLC ± -</li> <li>3 PLC ± -</li> <li>4 PLC ± -</li> <li>ANGLES ± -</li> </ul>		APPLICATION SPEC -		SIZE A3	CAGE CODE 00779
MATERIAL -		FINISH -		DRAWING NO C-2327927	RESTRICTED TO -
APPROX. WEIGHT 3.1 kg				CUSTOMER DRAWING	
SCALE 1:2				SHEET 1 of 1	
REV A					

ITEM: 3