

4

3

2

1

THIS DRAWING IS UNPUBLISHED.

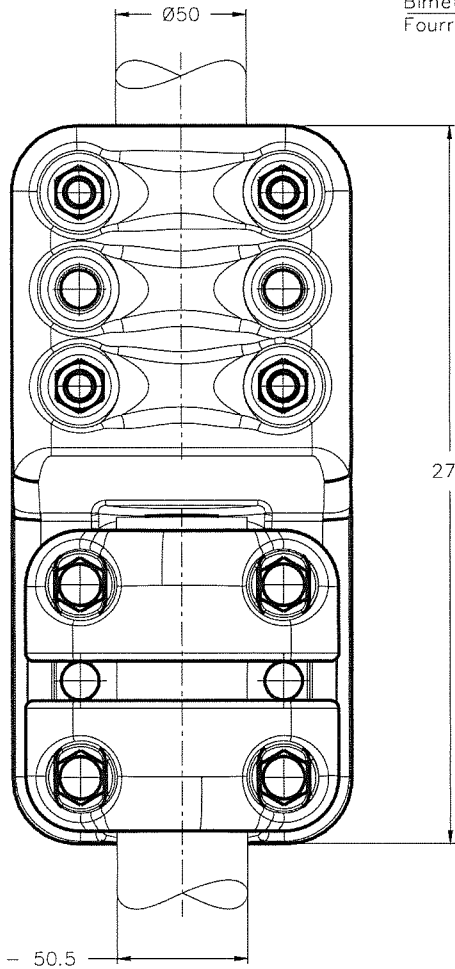
RELEASED FOR PUBLICATION

© COPYRIGHT - By -

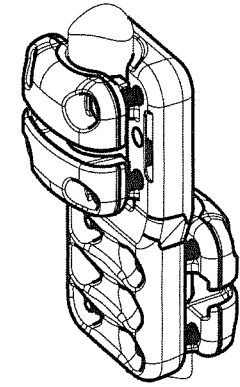
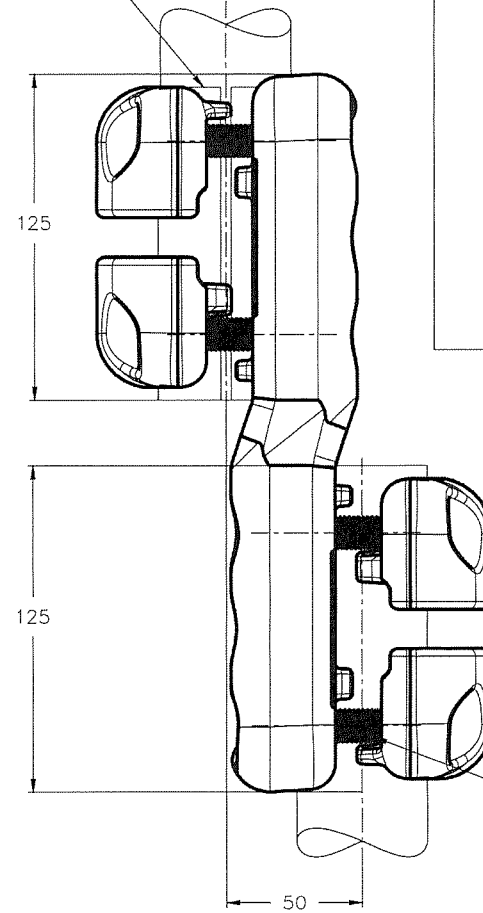
ALL RIGHTS RESERVED.

REVISIONS

P	LTR	DESCRIPTION	DATE	DWN	APVD
A		CREATION	05-MAR-20	BH	-



Bimetalic Alu/Copper sleeve 52Diax50
 Fourrure bi-métallique Alu/Cuivre Ø52x50



No scale
 Sans échelle

M12 Bolts stainless steel A2: 60Nm
 Boulons M12 acier inoxydable A2: 60Nm

ITEM:.....

THIS DRAWING IS A CONTROLLED DOCUMENT.		DWN HUARD	05-MAR-20	TE TE Connectivity	
DIMENSIONS: mm		CHK -	APVD -		
TOLERANCES UNLESS OTHERWISE SPECIFIED:		PRODUCT SPEC		NAME STRAIGHT CONNECTOR RACCORD DROIT	
<ul style="list-style-type: none"> 0 PLC ± - 1 PLC ± - 2 PLC ± - 3 PLC ± - 4 PLC ± - ANGLES ± - 		APPLICATION SPEC		DRAWING NO 5 CJ 82 L505 LK505	
MATERIAL -		APPROX. WEIGHT 2 kg		SIZE A3	RESTRICTED TO -
FINISH -		CUSTOMER DRAWING		CAGE CODE 00779	DRAWING NO C=2370658
		SCALE 1:2		SHEET 1 of 1	REV A