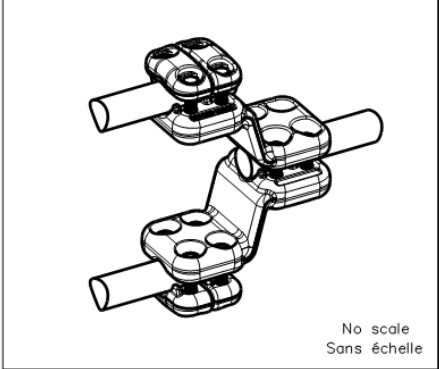
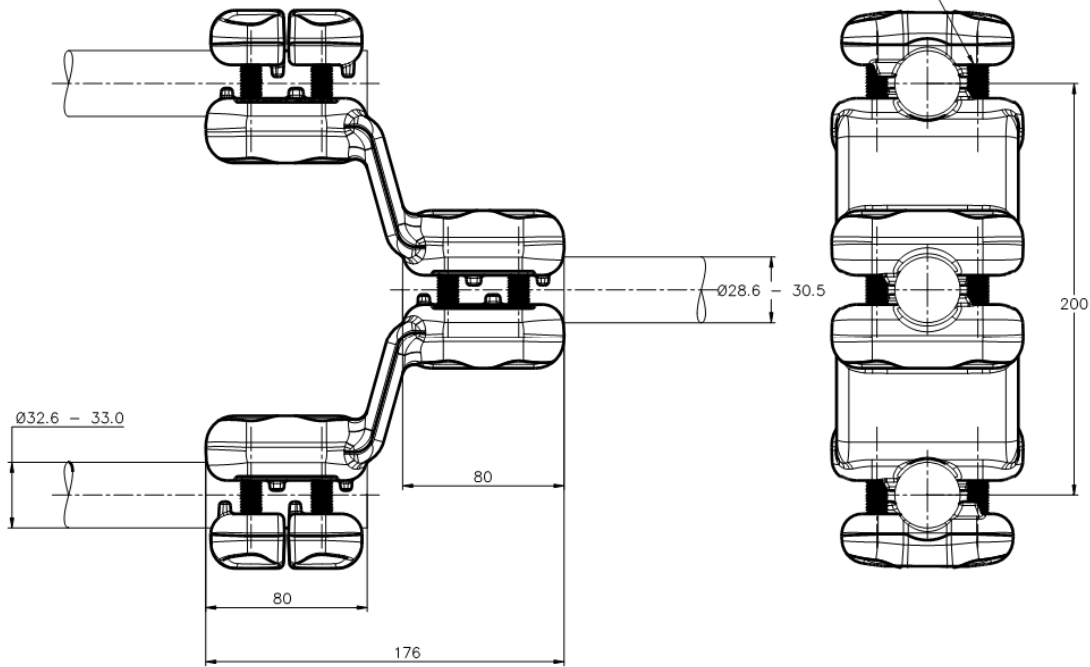


THIS DRAWING IS UNPUBLISHED. RELEASED FOR PUBLICATION
 © COPYRIGHT - By - ALL RIGHTS RESERVED.

REVISIONS					
P	LTR	DESCRIPTION	DATE	DWI	APVD
A		CREATION	31-JAN-20	GL	-

M10 Bolts stainless steel A2: 37Nm
 Boulons M10 acier inoxydable A2: 37Nm



Derivative current: 2000A maxi
 Courant dérivé: 2000A maxi

ITEM:.....

THIS DRAWING IS A CONTROLLED DOCUMENT.		DWI LAFORGE	31-JAN-20	STE TE Connectivity	
DIMENSIONS: mm		CHK -	APVD -		
TOLERANCES UNLESS OTHERWISE SPECIFIED:		PRODUCT SPEC 108-69096-001		NAME STRAIGHT CONNECTOR TWIN TO SINGLE CONDUCTOR CONNECTEUR DROIT FAISCEAU DOUBLE SUR SIMPLE CONDUCTEUR	
<ul style="list-style-type: none"> Ø PLC ± - 1 PLC ± - 2 PLC ± - 3 PLC ± - 4 PLC ± - ANGLES ± - 		APPLICATION SPEC -		5 CJ 82 F S330 E200 S305	
MATERIAL -		APPROX. WEIGHT 2.8 kg		SIZE A3	CAGE CODE 00779
FINISH -		DRAWING NO C=2368703		RESTRICTED TO -	
CUSTOMER DRAWING				SCALE 1:2	SHEET 1 of 1
				REV A	