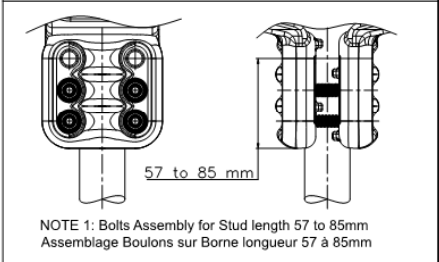
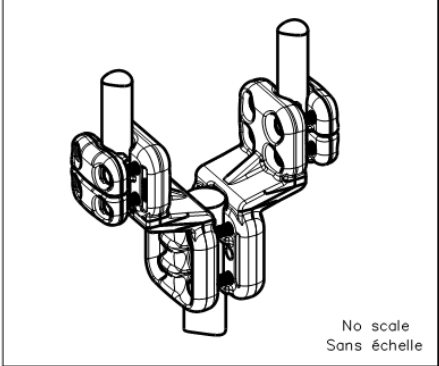
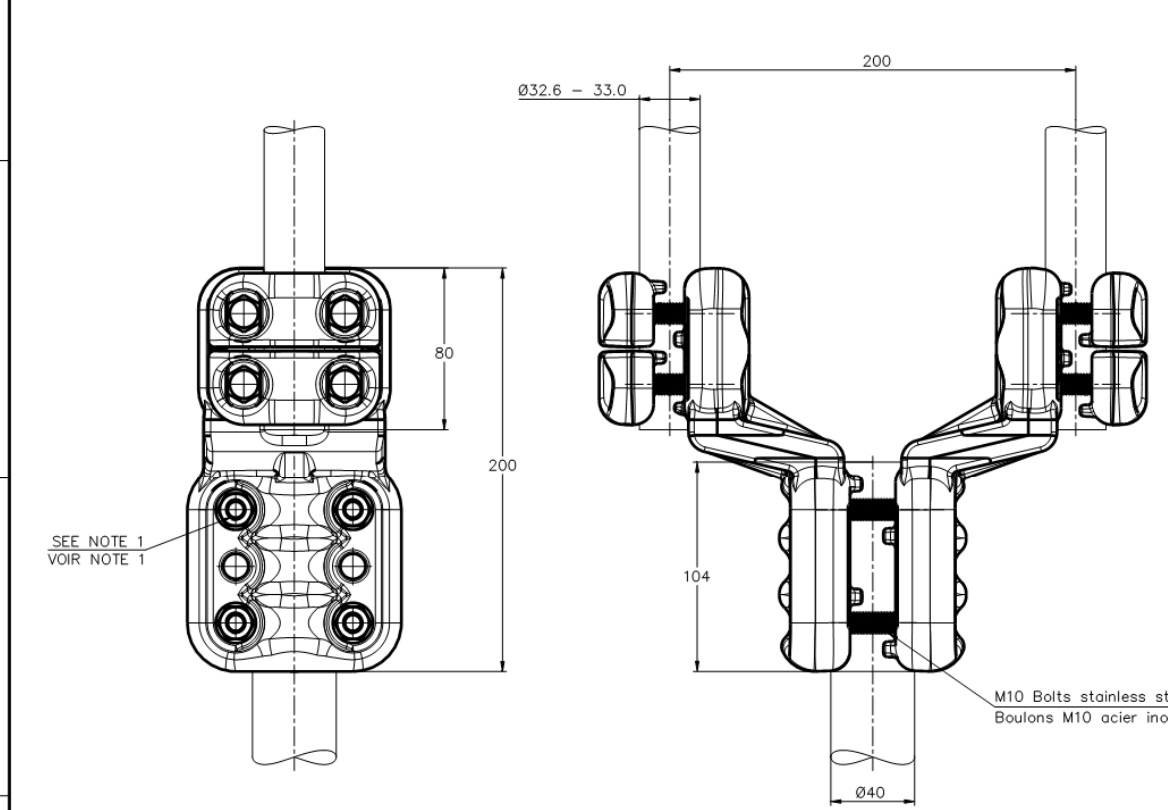


THIS DRAWING IS UNPUBLISHED. RELEASED FOR PUBLICATION. ALL RIGHTS RESERVED.

REVISIONS					
P	LTR	DESCRIPTION	DATE	DWI	APVD
A		CREATION	31-JAN-20	GL	-



M10 Bolts stainless steel A2: 37Nm  
Boulons M10 acier inoxydable A2: 37Nm

Derivative current: 2000A maxi  
Courant dérivé: 2000A maxi

SEE NOTE 1  
VOIR NOTE 1

ITEM:.....

THIS DRAWING IS A CONTROLLED DOCUMENT.		DWI	LAFORGE		31-JAN-20
DIMENSIONS: mm		CHK	-		
TOLERANCES UNLESS OTHERWISE SPECIFIED:		APVD	-		
0 PLC	± -	PRODUCT SPEC		NAME	
1 PLC	± -	108-69096-001		STRAIGHT CONNECTOR TWIN TO STUD	
2 PLC	± -	APPLICATION SPEC		RACCORD DROIT FAISCEAU DOUBLE SUR BORNE	
3 PLC	± -	-		5 CJ 82 F S330 E200 M405	
4 PLC	± -	SIZE	CAGE CODE	DRAWING NO	RESTRICTED TO
ANGLES	± -	A3	00779	C=2368702	-
MATERIAL	FINISH	APPROX. WEIGHT	3.5 kg		CUSTOMER DRAWING
-	-	SCALE	1:2	SHEET	1 of 1
				REV	A