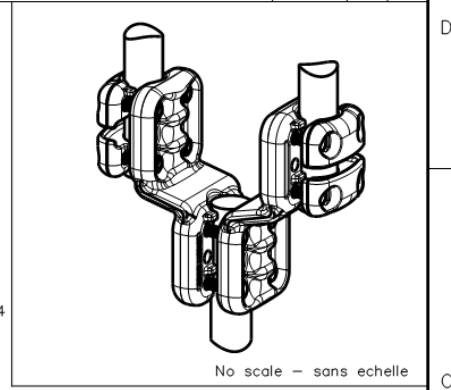
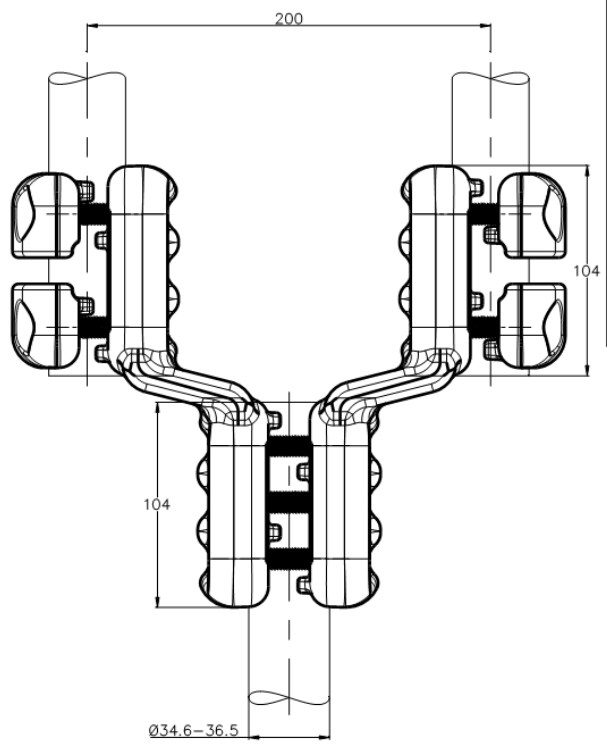
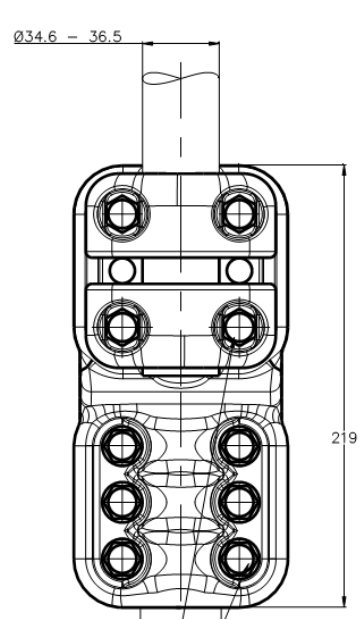


THIS DRAWING IS UNPUBLISHED. RELEASED FOR PUBLICATION
 © COPYRIGHT - By - ALL RIGHTS RESERVED.

REVISIONS					
P	LTR	DESCRIPTION	DATE	DWI	APVD
A		CREATION	01-DEC-20	GL	-



M10 Bolts stainless steel A2: 37Nm
 Boulons M10 acier inoxydable A2: 37Nm

ITEM:.....

THIS DRAWING IS A CONTROLLED DOCUMENT.		DWI: LAFORGE	01-DEC-20	STE TE Connectivity	
DIMENSIONS: mm		CHK: -	APVD: -		
TOLERANCES UNLESS OTHERWISE SPECIFIED:		PRODUCT SPEC		NAME	
0 PLC ± -	1 PLC ± -	108-69096-001		Straight connector twin to stud	
2 PLC ± -	3 PLC ± -	APPLICATION SPEC		Connecteur droit faisceau double sur borne	
4 PLC ± -	ANGLES ± -	APPROX. WEIGHT 3.7 kg		5 CJ 82 F M365 E200 MR365	
MATERIAL: -	FINISH: -	SIZE: A3	CAGE CODE: 00779	DRAWING NO: C=2383498	RESTRICTED TO: -
CUSTOMER DRAWING			SCALE: 1/2	SHEET: 1 of 1	REV: A