

4

3

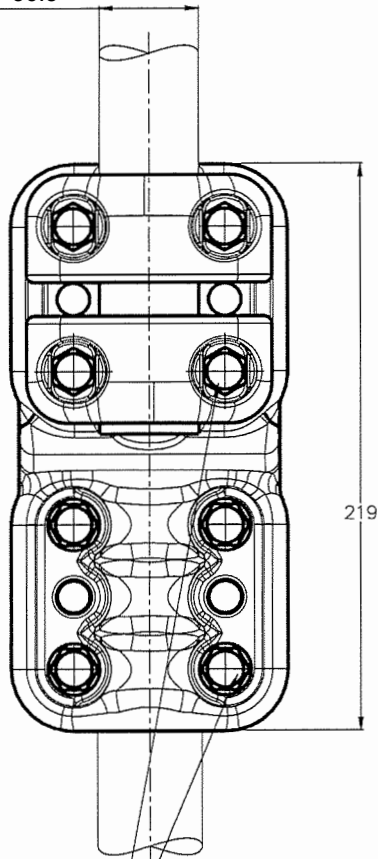
2

1

THIS DRAWING IS UNPUBLISHED. RELEASED FOR PUBLICATION
 (C) COPYRIGHT - By - ALL RIGHTS RESERVED.

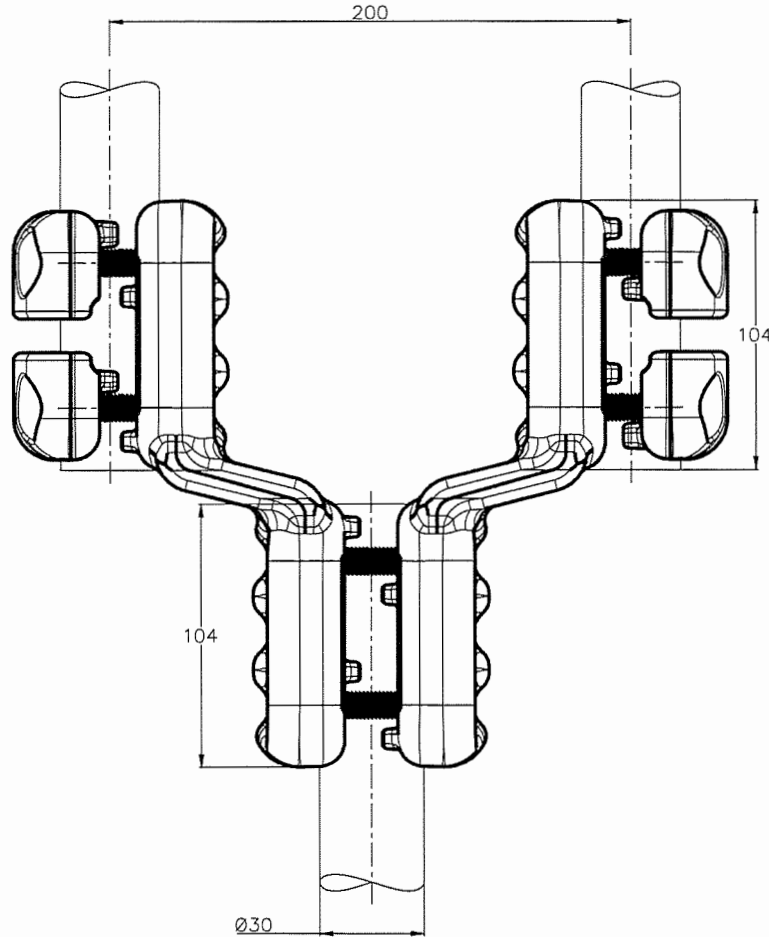
REVISIONS					
P	LTR	DESCRIPTION	DATE	DWN	APVD
A		CREATION	20-MAR-18	GL	-

ø34.6 - 36.5



219

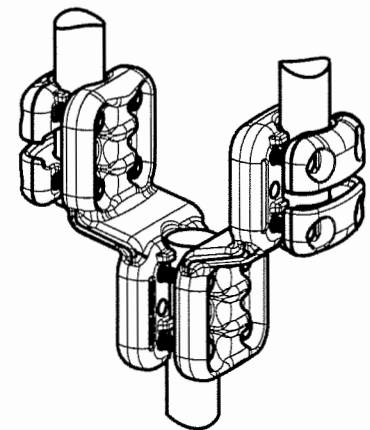
200



104

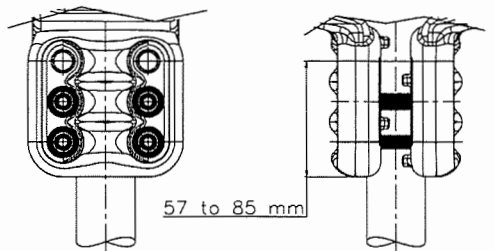
104

ø30



No scale - sans echelle

No scale - sans echelle



57 to 85 mm

NOTE 1: Bolts Assembly for Stud length 57 to 85mm
 Assemblage Boulons sur Borne longueur 57 à 85mm

M10 Bolts stainless steel A2: 37Nm
 Boulons M10 acier inoxydable A2: 37Nm

ITEM: 3.12...

THIS DRAWING IS A CONTROLLED DOCUMENT.		DWN	20-MAR-18		TE Connectivity
		CHK	LAFORGE		
DIMENSIONS:		TOLERANCES UNLESS OTHERWISE SPECIFIED.		APVD	NAME
mm					
	0 PLC	±	-	PRODUCT SPEC	Straight connector twin to stud Connecteur droit faisceau double sur borne 5 CJ 82 F M365 E200 M305
	1 PLC	±	-	APPLICATION SPEC	
	2 PLC	±	-	108-69096-001	
	3 PLC	±	-		
	4 PLC	±	-	SIZE	RESTRICTED TO
	ANGLES	±	-	CAGE CODE	
MATERIAL	FINISH	APPROX. WEIGHT		DRAWING NO	A300779
-	-	3.7 kg		SCALE	
CUSTOMER DRAWING				1/2	SHEET
				1 of 1	REV
				A	