

4

3

2

1

THIS DRAWING IS UNPUBLISHED.

RELEASED FOR PUBLICATION

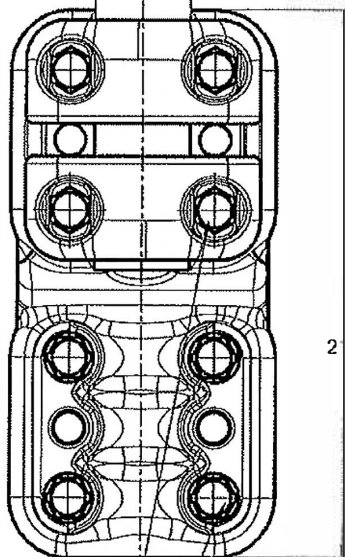
© COPYRIGHT - By -

ALL RIGHTS RESERVED.

REVISIONS

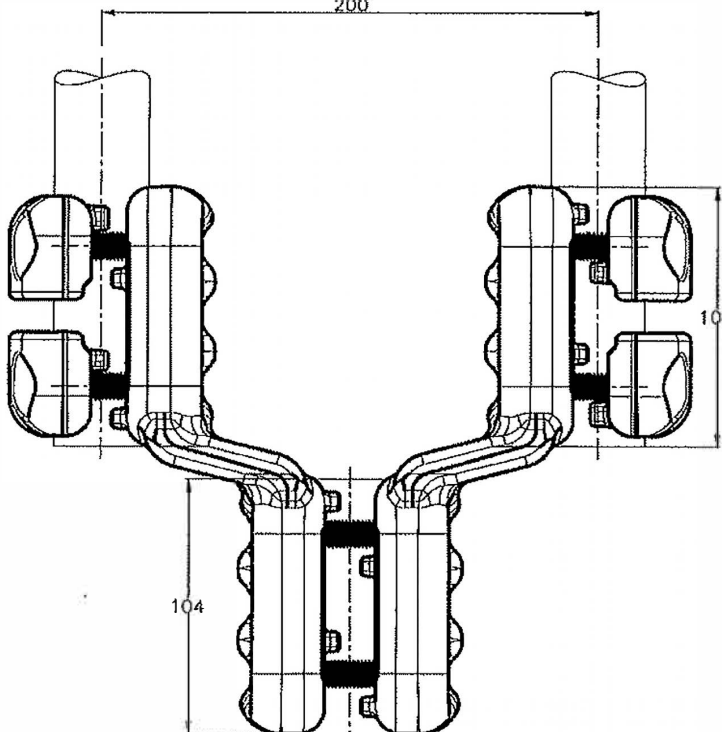
P	LN	DESCRIPTION	DATE	DR	APVD
A	1	CREATION	20-MAR-18	GL	-

Ø32.6 - 34.5



29

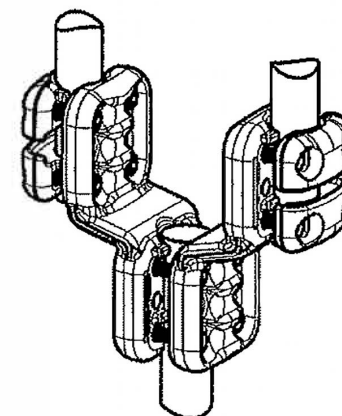
200



104

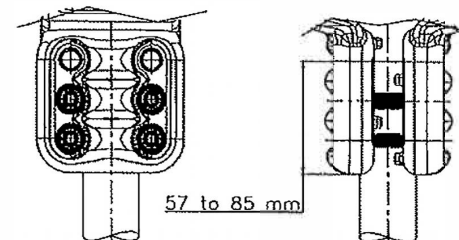
104

Ø 28.6-30.5



No scale - sans echelle

No scale - sans echelle



57 to 85 mm

NOTE 1: Bolts Assembly for Stud length 57 to 85mm
Assemblage Boulons sur Borne longueur 57 à 85mm

M10 Bolts stainless steel A2: 37Nm
Boulons M10 acier inoxydable A2: 37Nm

THIS DRAWING IS A CONTROLLED DOCUMENT.		DRN LAFORGE 20-MAR-18	TE Connectivity	
DIMENSIONS: mm		CHK -		
TOLERANCES UNLESS OTHERWISE SPECIFIED:		APVD -	Straight connector twin to stud Connecteur droit faisceau double sur borne	
0 PLC ± - 1 PLC ± - 2 PLC ± - 3 PLC ± - 4 PLC ± - ANGLES ± -		DATE	5 CJ 82 F M345 E200 S305	
MATERIAL		PRODUCT SPEC 108-69096-001	SIZE	RESTRICTED TO
FINISH		APPLICATION SPEC	CAGE CODE A300779	DRAWING NO. 2332104
		APPROX WEIGHT 3.7 kg	SCALE 1/2	SHEET 1 of 1
		CUSTOMER DRAWING	REV A	

ITEM:.....