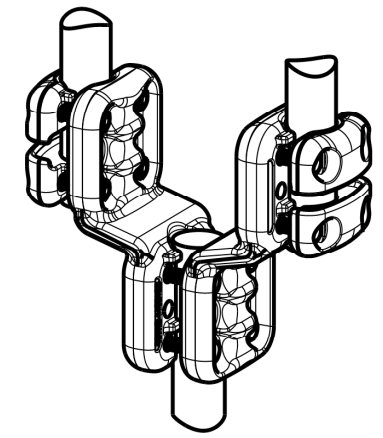
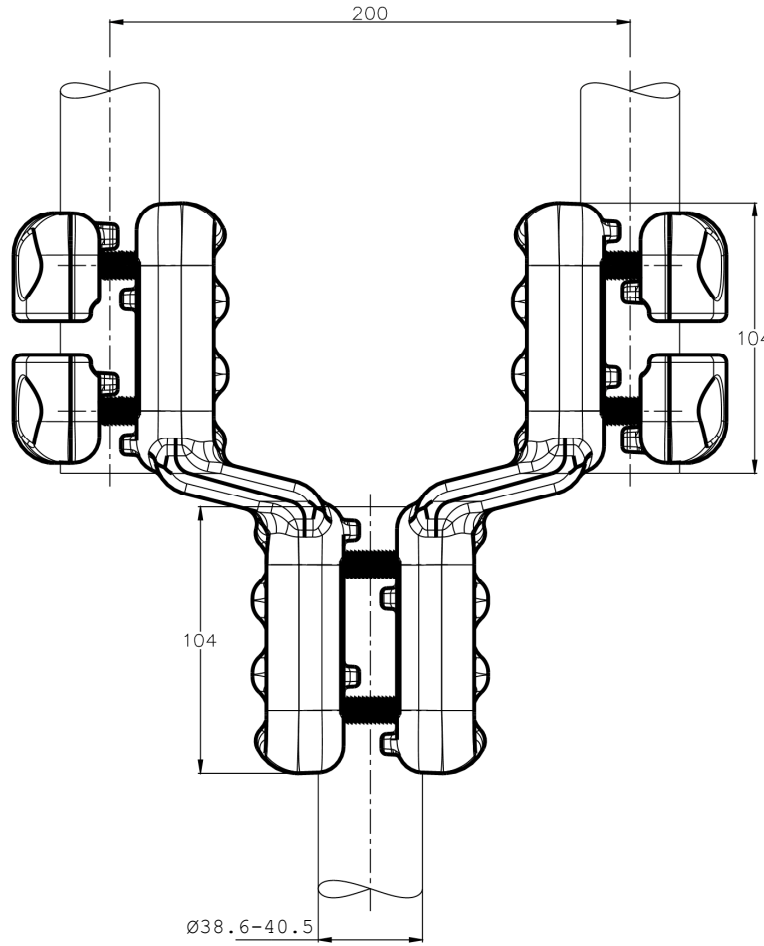
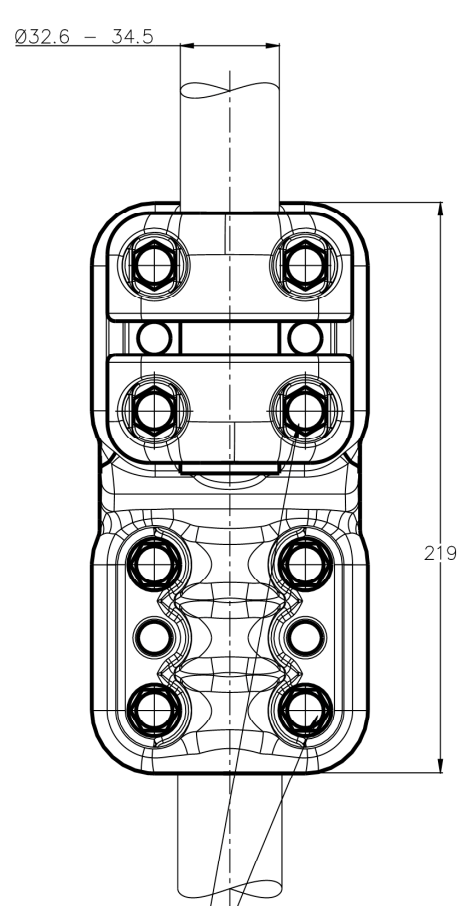
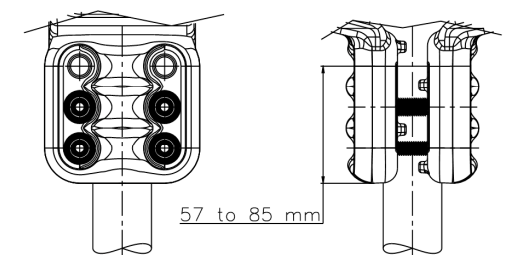


THIS DRAWING IS UNPUBLISHED. RELEASED FOR PUBLICATION  
 © COPYRIGHT - By - ALL RIGHTS RESERVED.

REVISIONS				
P	LTR	DESCRIPTION	DATE	APVD
A		CREATION	20-MAR-18	GL



No scale - sans echelle



NOTE 1: Bolts Assembly for Stud length 57 to 85mm  
 Assemblage Boulons sur Borne longueur 57 à 85mm

M10 Bolts stainless steel A2: 37Nm  
 Boulons M10 acier inoxydable A2: 37Nm

ITEM:.....

THIS DRAWING IS A CONTROLLED DOCUMENT.		DWN	LAFORGE	20-MAR-18		TE Connectivity		
DIMENSIONS: mm		CHK	-	-		NAME		
TOLERANCES UNLESS OTHERWISE SPECIFIED:		APVD	-	-	Straight connector twin to stud			
1 PLC ± -		PRODUCT SPEC	108-69096-001		Connecteur droit faisceau double sur borne			
2 PLC ± -		APPLICATION SPEC	-		SIZE	CAGE CODE	DRAWING NO	
3 PLC ± -		MATERIAL	-		A3	00779	C-2332104	
4 PLC ± -		FINISH	-		RESTRICTED TO			
ANGLES ± -		APPROX. WEIGHT	3.7 kg		SCALE 1/2 SHEET 1 OF 1 REV A			
MATERIAL		CUSTOMER DRAWING						