

4

3

2

1

THIS DRAWING IS UNPUBLISHED.

RELEASED FOR PUBLICATION

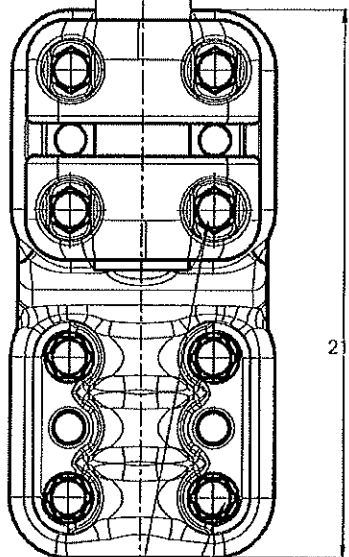
© COPYRIGHT - 0y -

ALL RIGHTS RESERVED.

REVISIONS

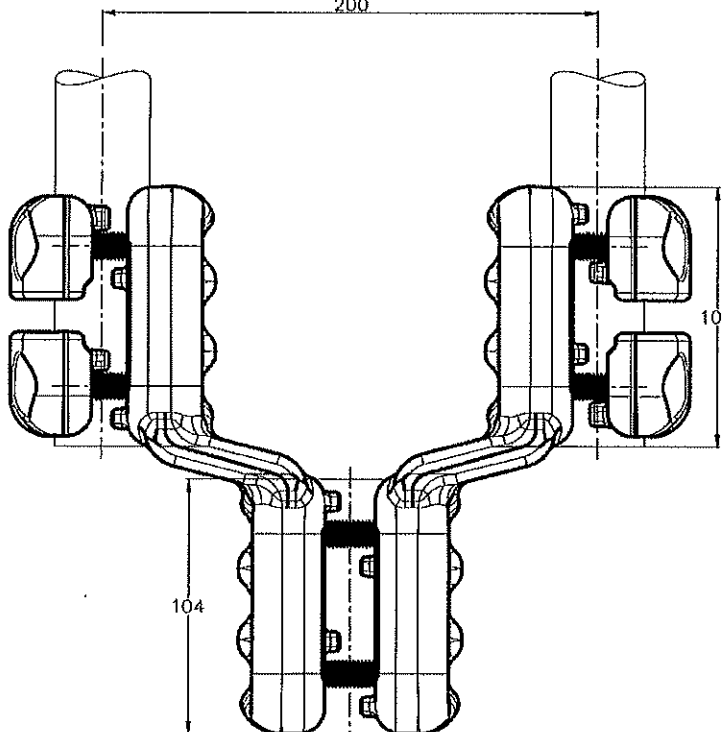
P	LTR	DESCRIPTION	DATE	DR	APVD
A		CREATION	20-MAR-18	GL	-

Ø32.6 - 34.5



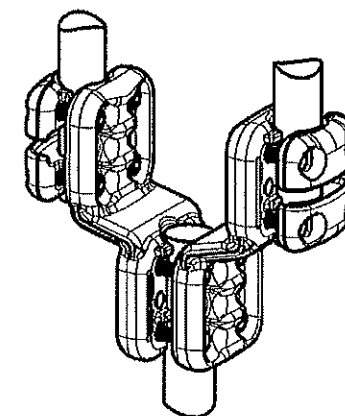
219

200



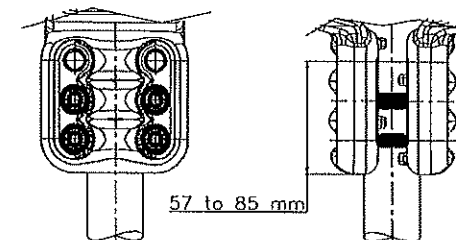
104

Ø32.6 - 34.5



No scale - sans echelle

No scale - sans echelle



57 to 85 mm

NOTE 1: Bolts Assembly for Stud length 57 to 85mm  
Assemblage Boulons sur Borne longueur 57 à 85mm

M10 Bolts stainless steel A2: 37Nm  
Boulons M10 acier inoxydable A2: 37Nm

THIS DRAWING IS A CONTROLLED DOCUMENT.		DRN LAFORGE	20-MAR-18	<b>TE</b> TE Connectivity	
DIMENSIONS: mm		CHK -	APVD -		
TOLERANCES UNLESS OTHERWISE SPECIFIED:		PRODUCT SPEC		Straight connector twin to stud	
0 PLC ± -	1 PLC ± -	108-69096-001		Connecteur droit faisceau double sur borne	
2 PLC ± -	3 PLC ± -	APPLICATION SPEC		5 CJ 82 F M345 E200 M345	
4 PLC ± -	ANGLES ± -	SIZE	CAGE CODE	DRAWING NO	RESTRICTED TO
MATERIAL -		FINISH -	APPROX WEIGHT 3.7 kg	A300779	©-2332104
ITEM: 6		CUSTOMER DRAWING		SCALE 1/2	SHEET 1 of 1
				REV A	