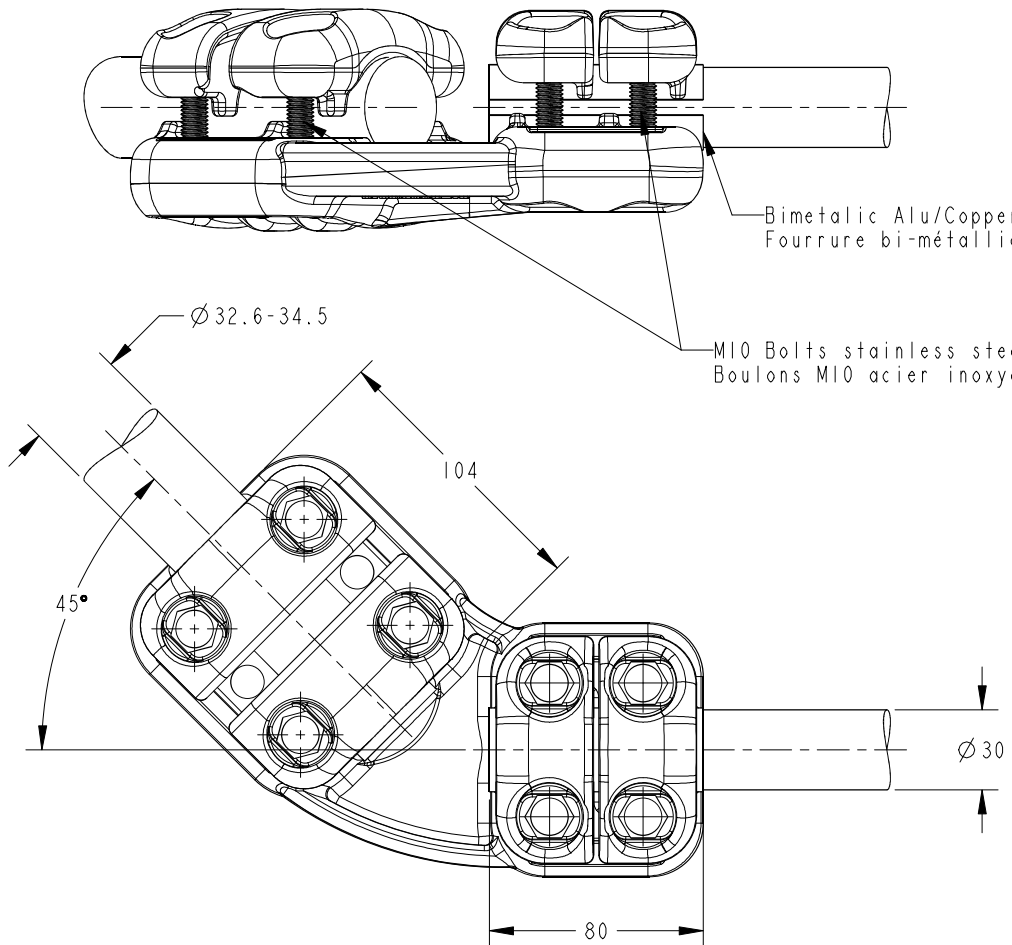
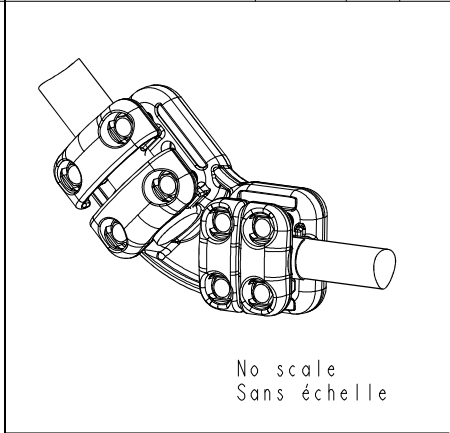


REVISIONS					
P	LTR	DESCRIPTION	DATE	DWN	APVD
	A	CREATION	06SEP2021	SD	CG



Bimetallic Alu/Copper sleeve 32Dia x 30
 Fourrure bi-métallique alu/cuivre Ø32x30

M10 Bolts stainless steel A2: 37Nm
 Boulons M10 acier inoxydable A2: 37Nm



THIS DRAWING IS A CONTROLLED DOCUMENT.		DWN 06SEP2021 D SANGEETHA	TE Connectivity		
DIMENSIONS: mm		CHK 06SEP2021 M PREVOT			
TOLERANCES UNLESS OTHERWISE SPECIFIED: 0 PLC ± 1 PLC ± 2 PLC ± 3 PLC ± 4 PLC ± ANGLES ±		APVD 06SEP2021 C GLOMMEAU	PRODUCT SPEC 108-69096-001		
		APPLICATION SPEC	SIZE A3	CAGE CODE 00779	DRAWING NO C=2399852
MATERIAL		FINISH -	WEIGHT 2.1 KG	RESTRICTED TO -	
CUSTOMER DRAWING			SCALE 1:5	SHEET 1	OF 1
			REV A		