

4

3

2

1

THIS DRAWING IS UNPUBLISHED.

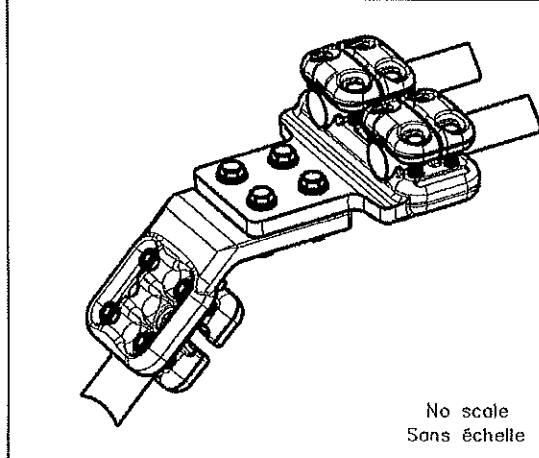
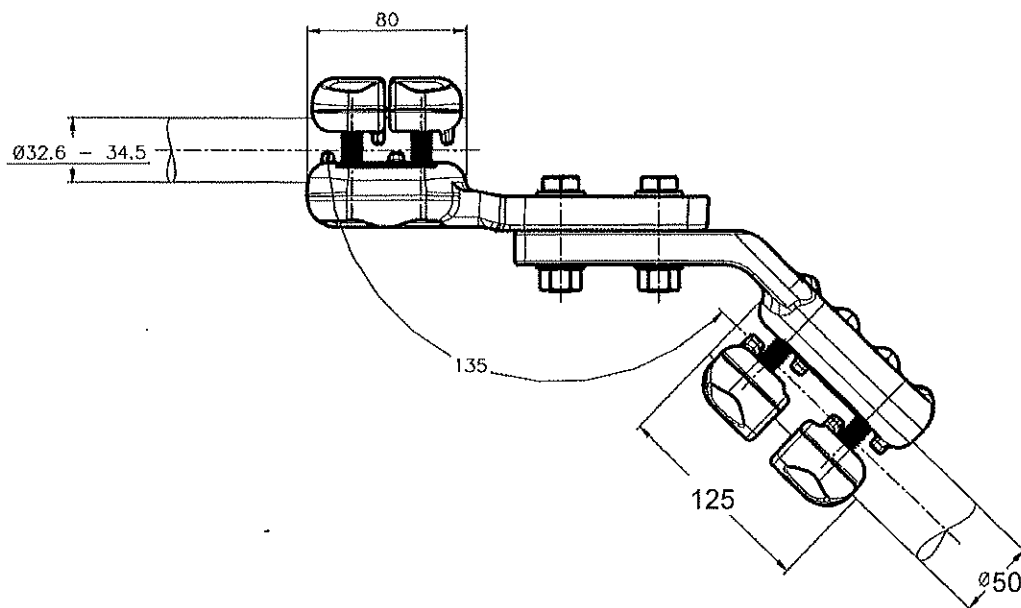
RELEASED FOR PUBLICATION

ALL RIGHTS RESERVED.

© COPYRIGHT - By -

REVISIONS

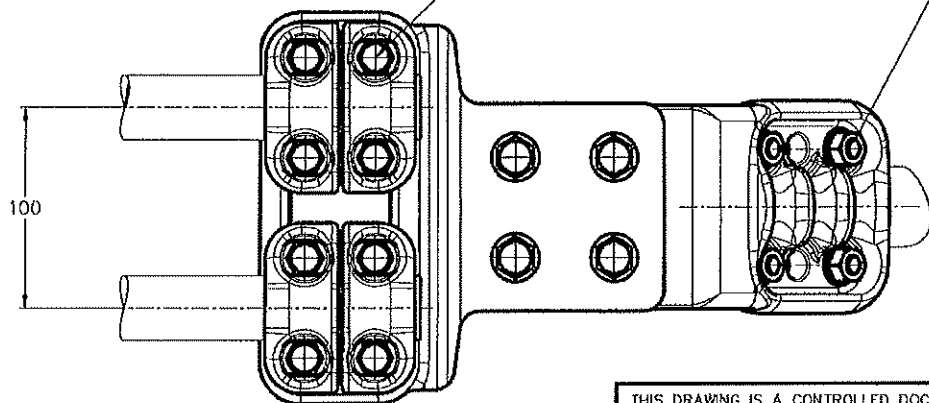
P	LTR	DESCRIPTION	DATE	DR	APVD
A		CREATION	07-DEC-17	GL	-



No scale
Sans échelle

M10 Bolts stainless steel A4: 37Nm
Boulons M10 acier inoxydable A4: 37Nm

M12 Bolts stainless steel A2: 60Nm
Boulons M12 acier inoxydable A2: 60Nm



THIS DRAWING IS A CONTROLLED DOCUMENT.

DATE 07-DEC-17

CHK LAFORGE

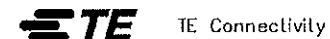
APVD -

PRODUCT SPEC -

APPLICATION SPEC 108-69096-001

APPROX. WEIGHT -

CUSTOMER DRAWING



ANGULAR TERMINAL CONNECTOR FOR 12MM CONDUCTORS TO STUD
TERMINAISON ANGULAIRE POUR FAISCEAU DOUBLE SUR BORNE

5 CJ 45 82 F M345 E100 L505 ACC

SIZE A3 GAGE CODE 00779 DRAWING NO. 2328659 RESTRICTED TO -

SCALE 2:5 SHEET 1 of 1 REV A

DIMENSIONS:	TOLERANCES UNLESS OTHERWISE SPECIFIED:
mm	
	0 PLC ± -
	1 PLC ± -
	2 PLC ± -
	3 PLC ± -
	4 PLC ± -
	ANGLES ± -

MATERIAL - FINISH -

ITEM: 15