

4

3

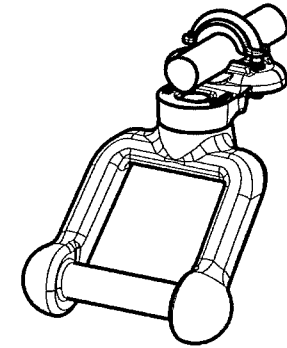
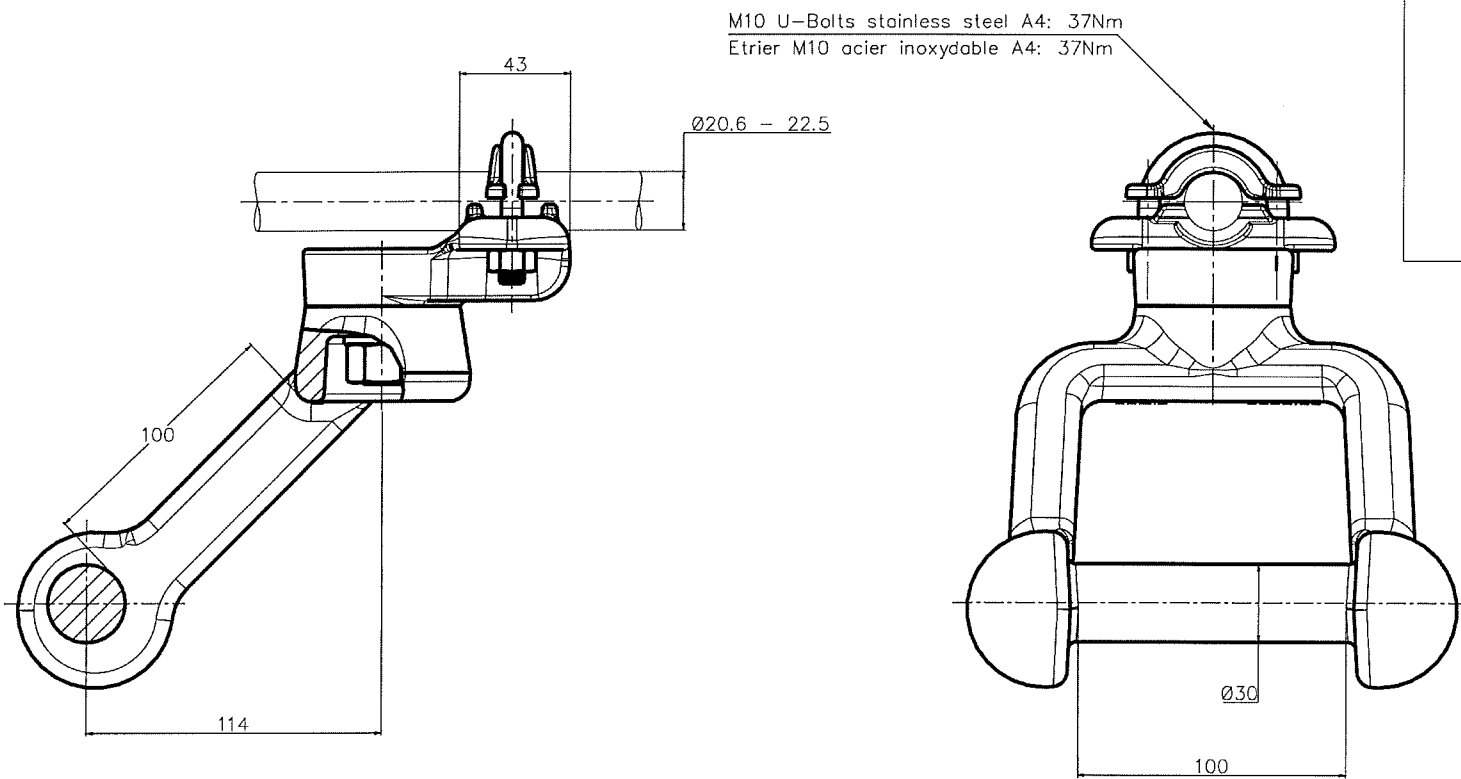
2

1

THIS DRAWING IS UNPUBLISHED. RELEASED FOR PUBLICATION
© COPYRIGHT - By - ALL RIGHTS RESERVED.

REVISIONS

P	LTR	DESCRIPTION	DATE	DM	APVD
	A	CREATION	17-NOV-17	BH	-



No scale - sans echelle

ITEM: 8

THIS DRAWING IS A CONTROLLED DOCUMENT.		DM HUARD	17-Nov-17	STE TE Connectivity													
DIMENSIONS: mm		CHK -	APVD -			NAME											
TOLERANCES UNLESS OTHERWISE SPECIFIED:		PRODUCT SPEC		Earthing stirrup													
<table border="1"> <tr><td>0 PLC</td><td>± -</td></tr> <tr><td>1 PLC</td><td>± -</td></tr> <tr><td>2 PLC</td><td>± -</td></tr> <tr><td>3 PLC</td><td>± -</td></tr> <tr><td>4 PLC</td><td>± -</td></tr> <tr><td>ANGLES</td><td>± -</td></tr> </table>		0 PLC	± -	1 PLC	± -	2 PLC	± -	3 PLC	± -	4 PLC	± -	ANGLES	± -	APPLICATION SPEC		Prise MALT	
0 PLC	± -																
1 PLC	± -																
2 PLC	± -																
3 PLC	± -																
4 PLC	± -																
ANGLES	± -																
MATERIAL		APPROX. WEIGHT		5 CAMALT 84 S225													
FINISH		1.7 kg		SIZE	RESTRICTED TO												
		CUSTOMER DRAWING		A3	-												
		SCALE		DRAWING NO													
		1:2		C-2327920													
		SHEET		1 OF 1	REV												
				A													