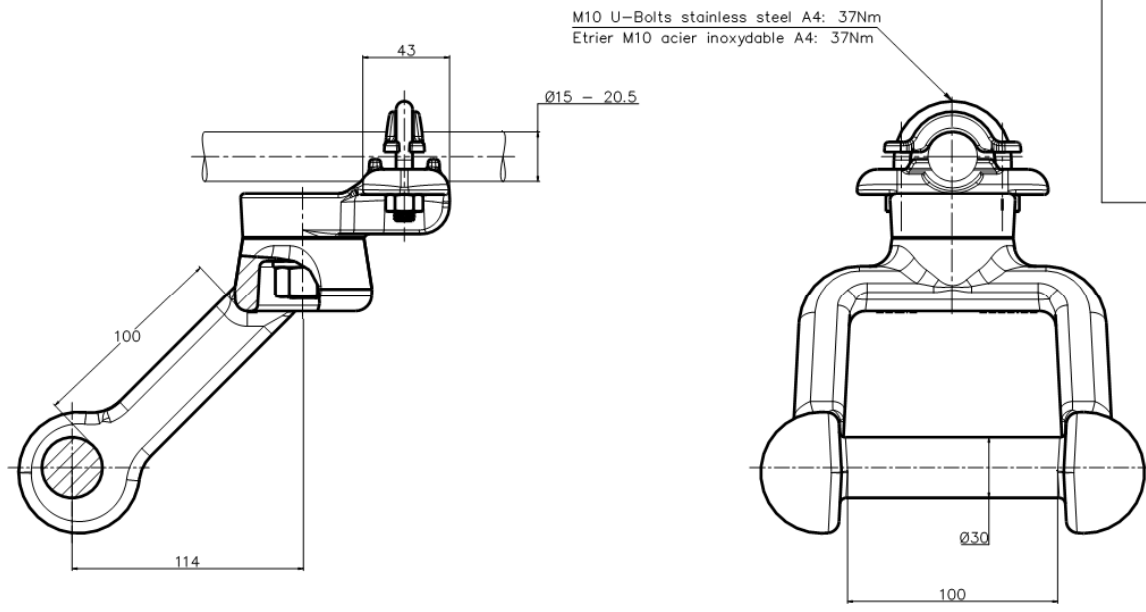
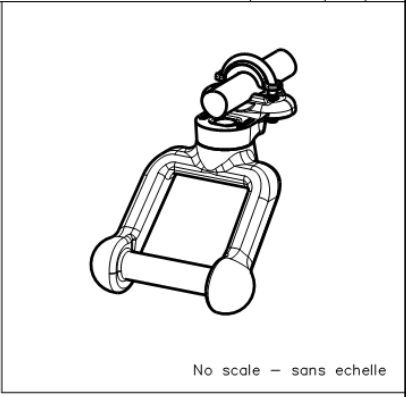


4 3 2 1

THIS DRAWING IS UNPUBLISHED. RELEASED FOR PUBLICATION
 © COPYRIGHT - By - ALL RIGHTS RESERVED.

REVISIONS					
P	LTR	DESCRIPTION	DATE	DWI	APVD
A		CREATION	05-Oct-17	BH	-



ITEM:.....

THIS DRAWING IS A CONTROLLED DOCUMENT.		DWI	PREVOI		05-Oct-17
DIMENSIONS: mm		CHK	-		-
TOLERANCES UNLESS OTHERWISE SPECIFIED:		APVD	-		NAME
<ul style="list-style-type: none"> Ø PLC ± - 1 PLC ± - 2 PLC ± - 3 PLC ± - 4 PLC ± - ANGLES ± - 		PRODUCT SPEC	108-69096-001		Earthing stirrup Prise MALT
MATERIAL		APPLICATION SPEC	-		5 CAMALT 84 S205
FINISH		APPROX. WEIGHT	1.7 kg	A3	RESTRICTED TO
-		CUSTOMER DRAWING	SCALE	1:2	SHEET 1 of 1
					REV A

