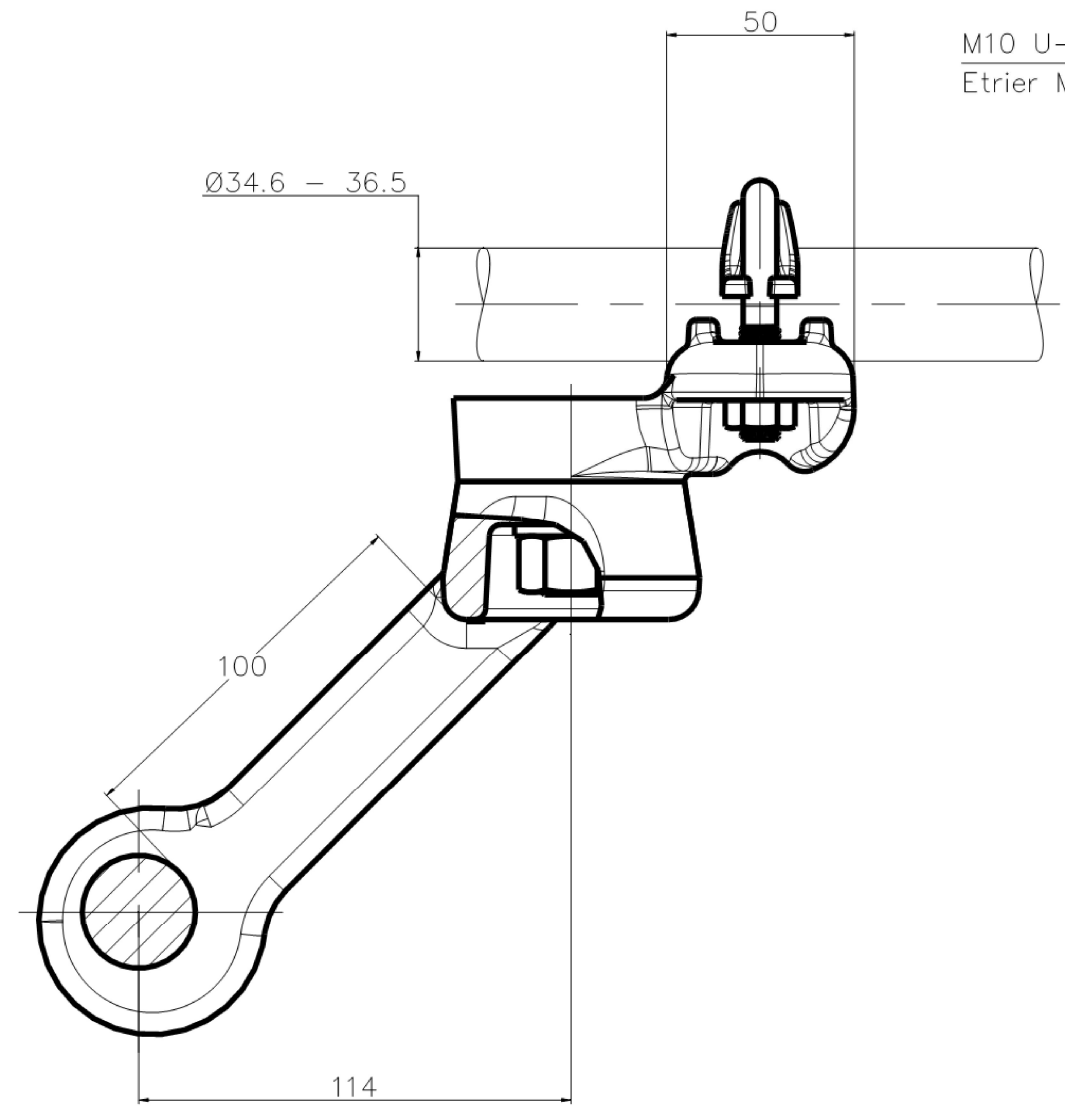
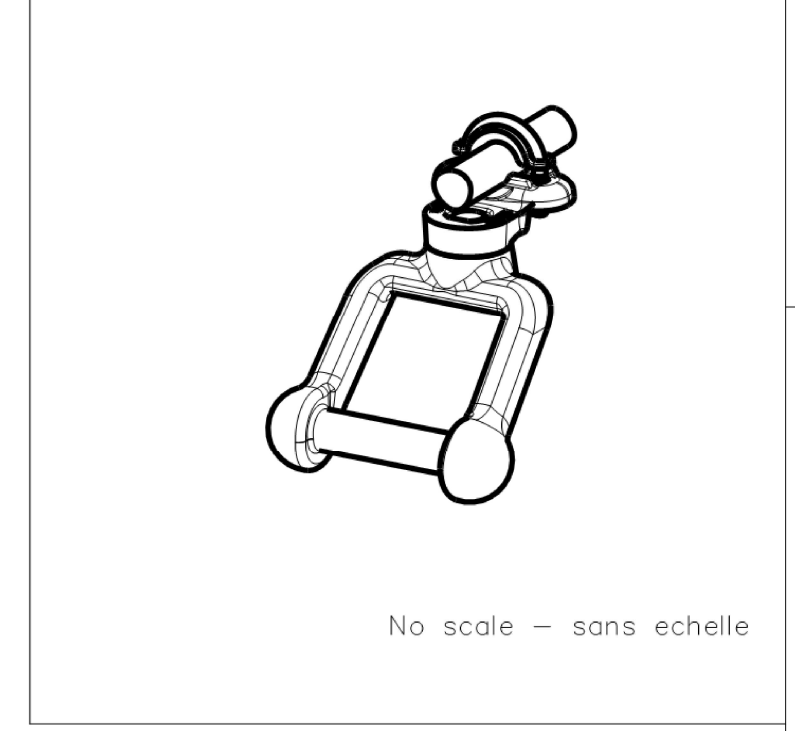
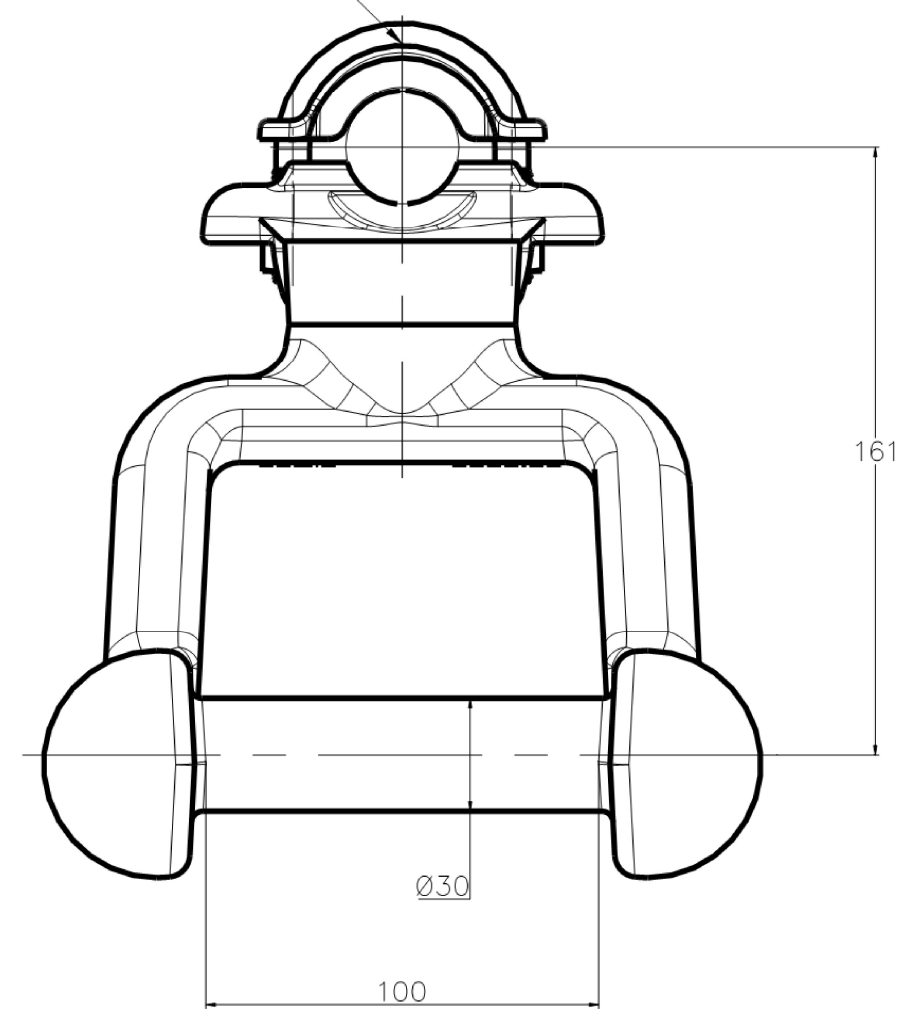


REVISIONS					
P	LTR	DESCRIPTION	DATE	DWN	APVD
	A	CREATION	04-DEC-20	MP	-



M10 U-Bolts stainless steel A4: 37Nm  
 Etrier M10 acier inoxydable A4: 37Nm



ITEM:.....

THIS DRAWING IS A CONTROLLED DOCUMENT.		DWN	PREVOT	04-DEC-20	<b>STE</b> TE Connectivity		
		CHK	-	-			
DIMENSIONS: mm		TOLERANCES UNLESS OTHERWISE SPECIFIED:		APVD	-	NAME	EARTHING STIRRUP
		0 PLC	± -	PRODUCT SPEC	108-69096-001	PRISE MALT	
		1 PLC	± -	APPLICATION SPEC	-	5 CAMALT 84 M365	
MATERIAL		FINISH	-	SIZE	A3	CAGE CODE	00779
				DRAWING NO	G=2383684		RESTRICTED TO
				WEIGHT	1.8 kg	-	
				CUSTOMER DRAWING	SCALE	1:2	SHEET 1 of 1
						REV	A