

4

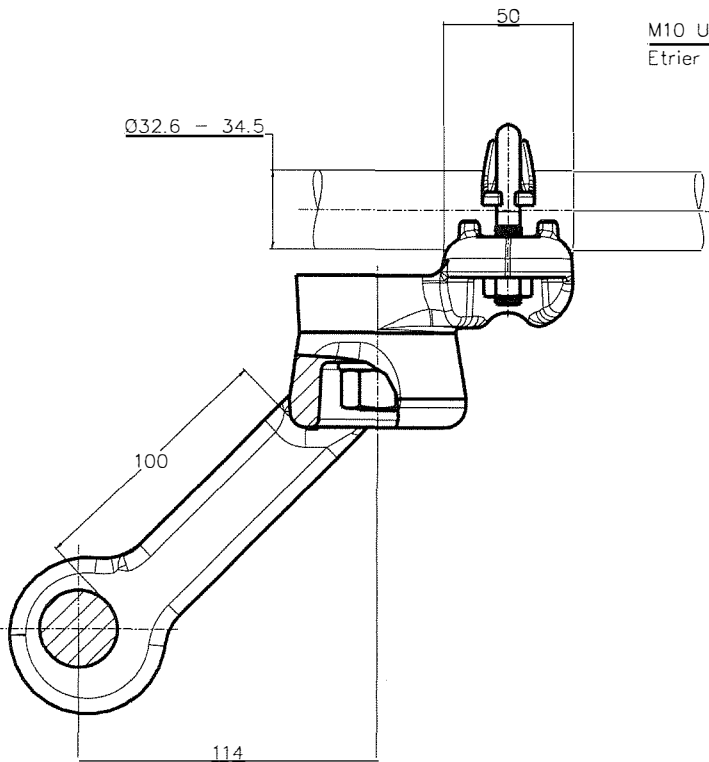
3

2

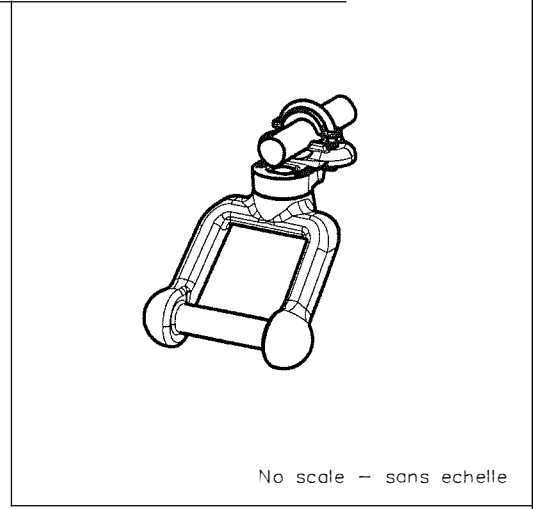
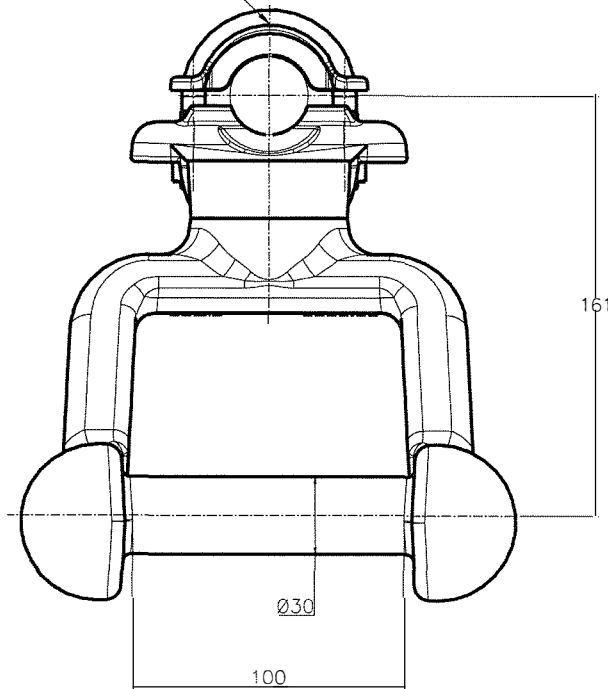
1

THIS DRAWING IS UNPUBLISHED. RELEASED FOR PUBLICATION
 © COPYRIGHT - By - ALL RIGHTS RESERVED.

REVISIONS				
#	LYR	DESCRIPTION	DATE	APVD
A		CREATION	21-NOV-17	GL



M10 U-Bolts stainless steel A4: 37Nm
 Etrier M10 acier inoxydable A4: 37Nm



ITEM:.....

THIS DRAWING IS A CONTROLLED DOCUMENT.		DWN LAFORGE	21-NOV-17	TE TE Connectivity													
DIMENSIONS: mm		CHK ---	APVD ---														
TOLERANCES UNLESS OTHERWISE SPECIFIED.		PRODUCT SPEC		NAME Earthing stirrup													
<table border="1"> <tr><td>0 PLC</td><td>± -</td></tr> <tr><td>1 PLC</td><td>± -</td></tr> <tr><td>2 PLC</td><td>± -</td></tr> <tr><td>3 PLC</td><td>± -</td></tr> <tr><td>4 PLC</td><td>± -</td></tr> <tr><td>ANGLES</td><td>± -</td></tr> </table>		0 PLC	± -	1 PLC	± -	2 PLC	± -	3 PLC	± -	4 PLC	± -	ANGLES	± -	APPLICATION SPEC 108-69096-001		5 CAMALT 84 M345	
0 PLC	± -																
1 PLC	± -																
2 PLC	± -																
3 PLC	± -																
4 PLC	± -																
ANGLES	± -																
MATERIAL		APPROX WEIGHT 1.8 kg		SIZE A3	DRAWING NO C-2328133												
FINISH		CUSTOMER DRAWING		RESTRICTED TO ---	SCALE 1/2												
				SHEET 1 of 1	REV A												