

4

3

2

1

THIS DRAWING IS UNPUBLISHED.

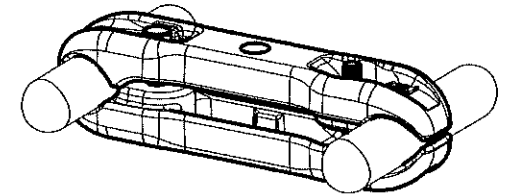
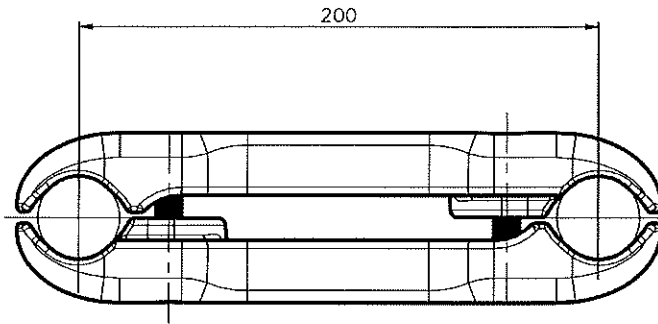
RELEASED FOR PUBLICATION

© COPYRIGHT - By -

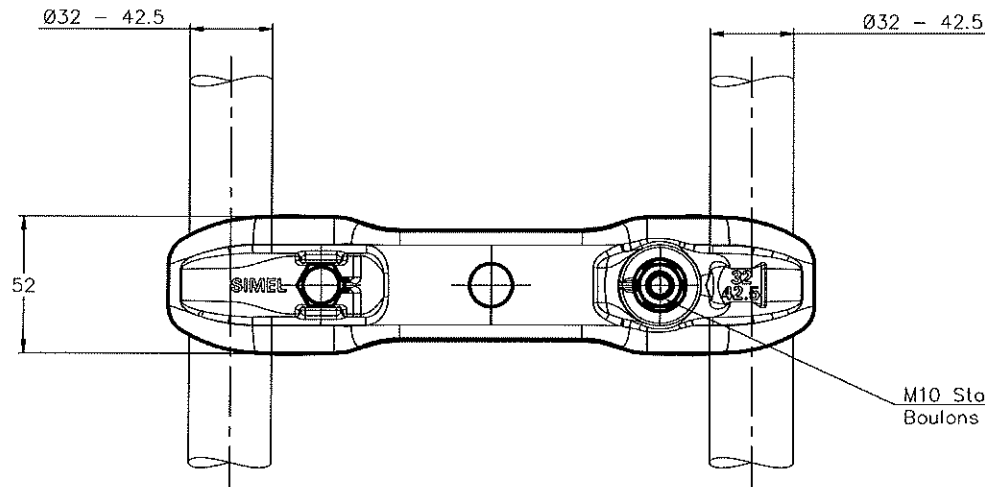
ALL RIGHTS RESERVED.

REVISIONS

P	LTR	DESCRIPTION	DATE	DR	APVD
	A	CREATION	19-OCT-17	GL	-



No scale
Sans échelle



M10 Stainless steel bolts A4: 37 Nm
Boulons M10 acier inoxydable A4: 37 Nm

THIS DRAWING IS A CONTROLLED DOCUMENT.

DWR 19-OCT-17
LAFORGE

STE TE Connectivity

DIMENSIONS:	TOLERANCES UNLESS OTHERWISE SPECIFIED:
mm	0 PLC ± -
	1 PLC ± -
	2 PLC ± -
	3 PLC ± -
	4 PLC ± -
	ANGLES ± -

PRODUCT SPEC	108-69096-001
APPLICATION SPEC	-
APPROX. WEIGHT	1.16 kg

NAME	TWIN BUNDLE SPACER
NAME	ENTRETOISE POUR FAISCEAU DOUBLE
NAME	5 CAE 84 M320/M425 E200
SIZE	A3
CAGE CODE	00779
DRAWING NO	C=2326836

RESTRICTED TO	-
SCALE	1:2
SHEET	1 of 1
REV	A

MATERIAL - FINISH -

CUSTOMER DRAWING

ITEM: 17