

4

3

2

1

THIS DRAWING IS UNPUBLISHED.

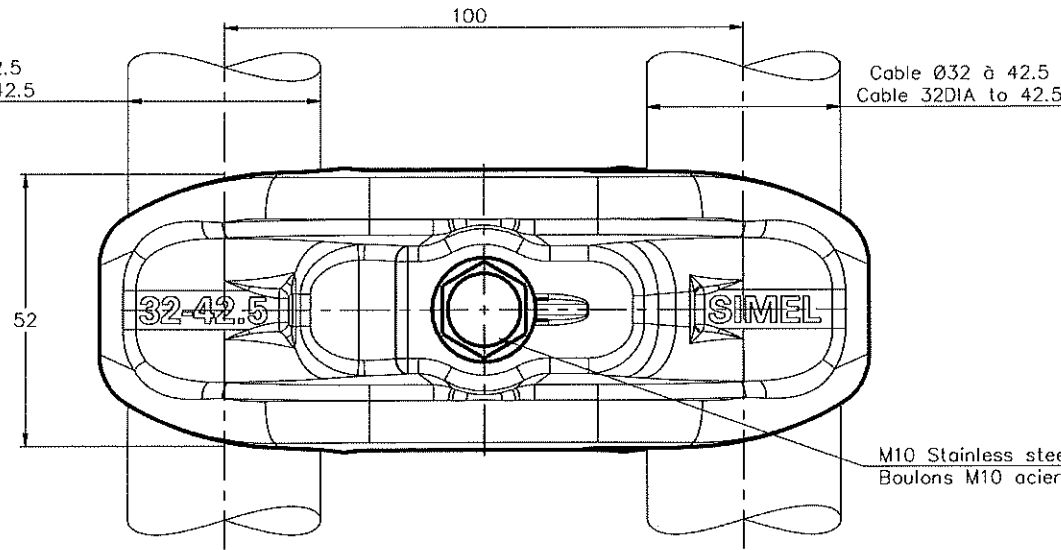
RELEASED FOR PUBLICATION

© COPYRIGHT - By -

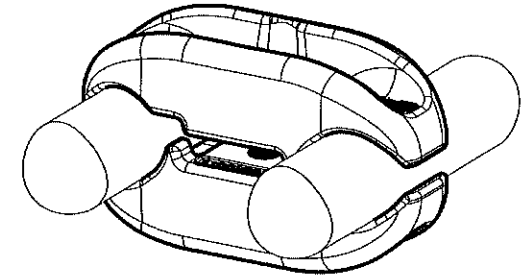
ALL RIGHTS RESERVED.

REVISIONS

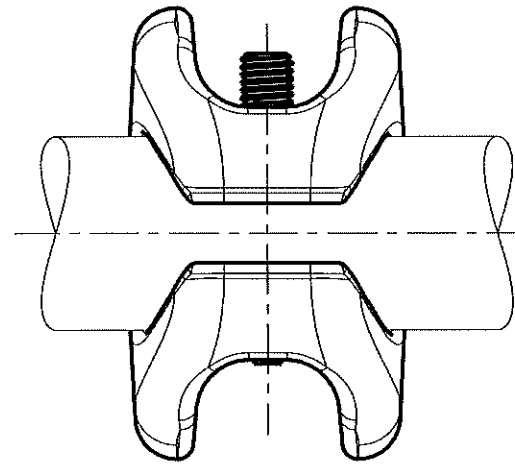
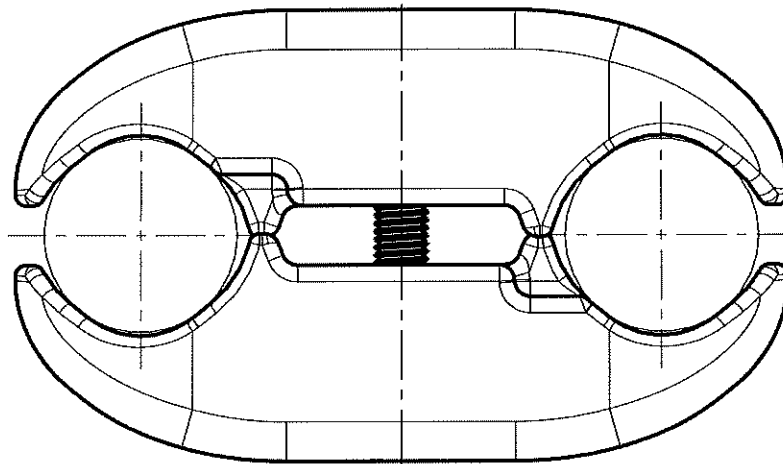
P	LTR	DESCRIPTION	DATE	DM	APVD
A		CREATION	08-DEC-17	BH	-



M10 Stainless steel bolts A4: 37 Nm
Boulons M10 acier inoxydable A4: 37 Nm



No scale
Sons échelle



THIS DRAWING IS A CONTROLLED DOCUMENT.

DM HUARD 08-DEC-17

CHK -

APVD -

PRODUCT SPEC

108-69096-001

APPLICATION SPEC

APPROX. WEIGHT 0.7 kg

CUSTOMER DRAWING

STE TE Connectivity

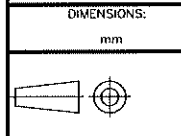
TWIN BUNDLE SPACER
ENTRETOISE POUR FAISCEAU DOUBLE

5 CAE 84 M320/M425 E100

SIZE CAGE CODE DRAWING NO RESTRICTED TO

A300779 C=2328834 -

SCALE 1:1 SHEET 1 of 1 REV A



DIMENSIONS:		TOLERANCES UNLESS OTHERWISE SPECIFIED:	
mm			
0 PLC	± -		
1 PLC	± -		
2 PLC	± -		
3 PLC	± -		
4 PLC	± -		
ANGLES	± -		

MATERIAL - FINISH -

ITEM: 18