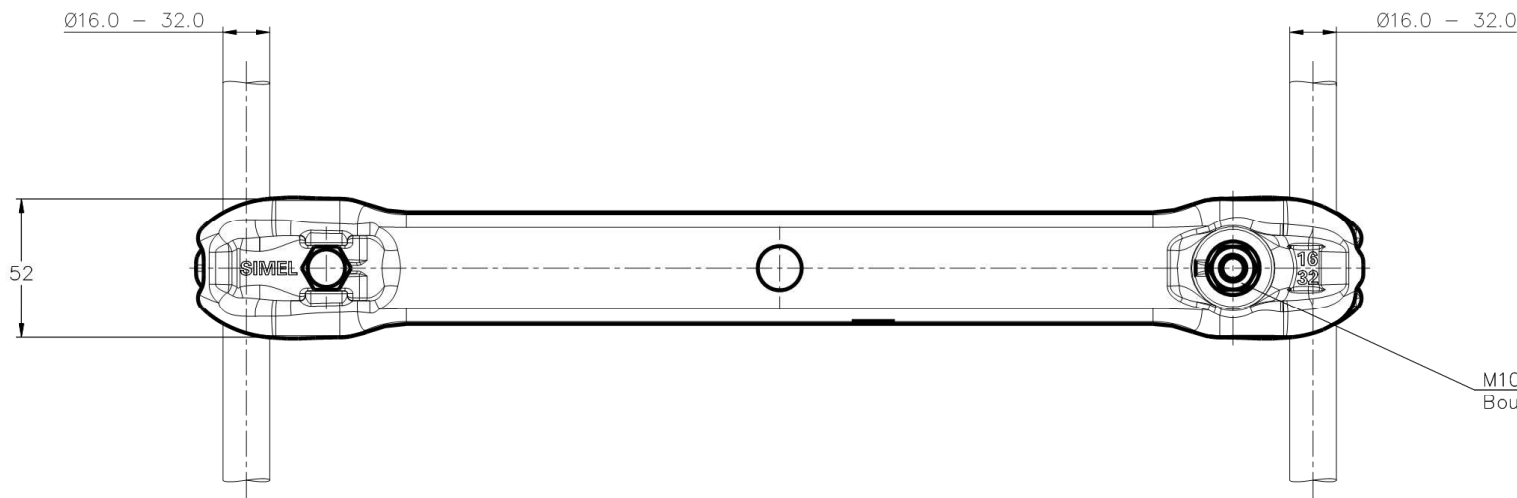
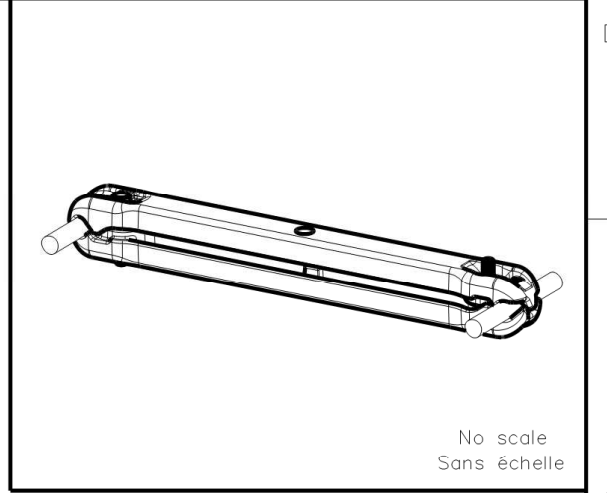
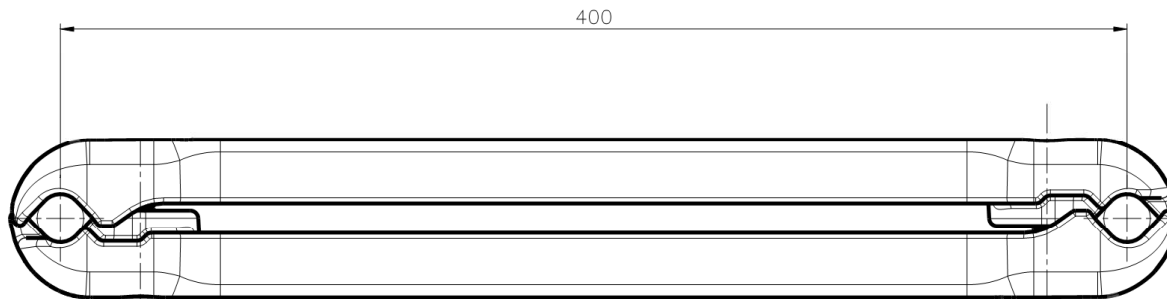


THIS DRAWING IS UNPUBLISHED. RELEASED FOR PUBLICATION
 © COPYRIGHT - By - ALL RIGHTS RESERVED.

REVISIONS					
P	LTR	DESCRIPTION	DATE	DWN	APVD
B		UPDATED DRAWING	18-DEC-17	GL	-



M10 Stainless steel bolts A2: 37 Nm
 Boulons M10 acier inoxydable A2: 37 Nm

ITEM: 3-4

THIS DRAWING IS A CONTROLLED DOCUMENT.		DWN LAForge	31-AUG-17	STE TE Connectivity	
DIMENSIONS: mm		CHK -	APVD -		
TOLERANCES UNLESS OTHERWISE SPECIFIED:		PRODUCT SPEC 108-69096-001		SIZE A3	CAGE CODE 00779
<ul style="list-style-type: none"> 0 PLC ± - 1 PLC ± - 2 PLC ± - 3 PLC ± - 4 PLC ± - ANGLES ± - 		APPLICATION SPEC -		DRAWING NO C=2324544	RESTRICTED TO -
MATERIAL -		FINISH -		APPROX. WEIGHT 1.1 kg	SCALE 1:2
CUSTOMER DRAWING				SHEET 1 of 1	REV B