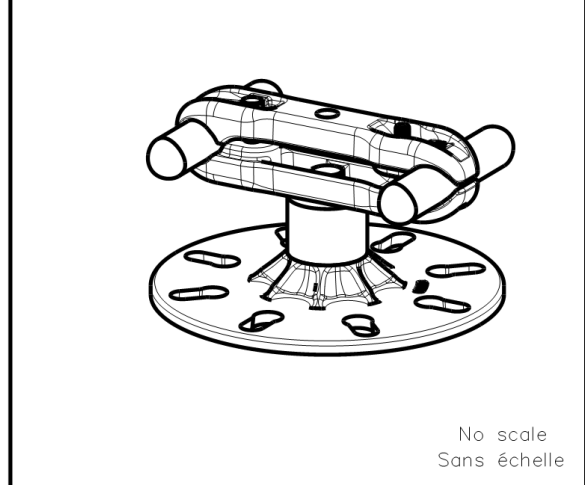
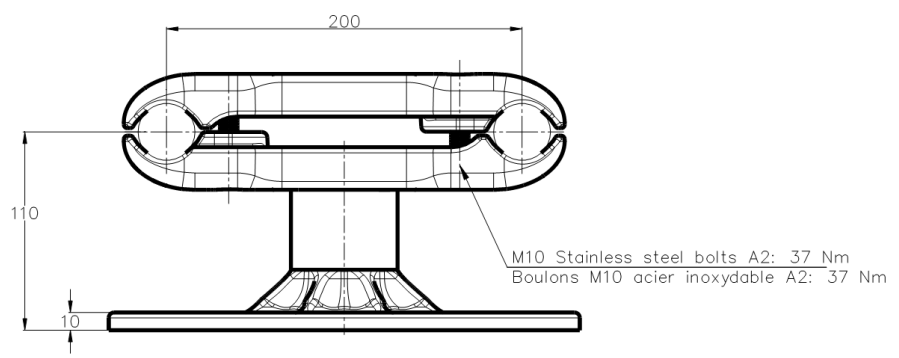
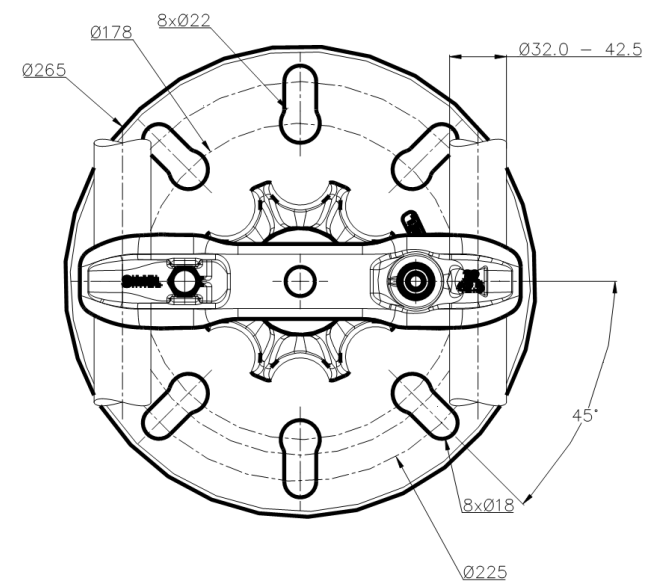


THIS DRAWING IS UNPUBLISHED. RELEASED FOR PUBLICATION  
 © COPYRIGHT - By - ALL RIGHTS RESERVED.

REVISIONS					
P	LTR	DESCRIPTION	DATE	DWN	APVD
B		UPDATED DRAWING	19-DEC-17	GL	-



No scale  
Sans échelle



ITEM: 5.7

THIS DRAWING IS A CONTROLLED DOCUMENT.		DWN	LAFORGE 31-AUG-17		<b>STE</b> TE Connectivity	
DIMENSIONS: mm		CHK	-			
TOLERANCES UNLESS OTHERWISE SPECIFIED:		APVD	-		NAME	
0 PLC ± -		PRODUCT SPEC	108-69096-001		TWIN BUNDLE SPACER ON BPI	
1 PLC ± -		APPLICATION SPEC	-		ENTRETOISE POUR FAISCEAU DOUBLE SUR ISO	
2 PLC ± -		APPROX. WEIGHT	2.8 kg		5 CAE 82 P7-P225 M320/M425 E200	
3 PLC ± -		CUSTOMER DRAWING	A3		SIZE	CAGE CODE
4 PLC ± -		FINISH	-		00779	DRAWING NO
ANGLES ± -		MATERIAL	-		C=2324533	RESTRICTED TO
MATERIAL		-		SCALE 1:3		SHEET 1 OF 1
-		-		REV B		