

THIS DRAWING IS UNPUBLISHED.

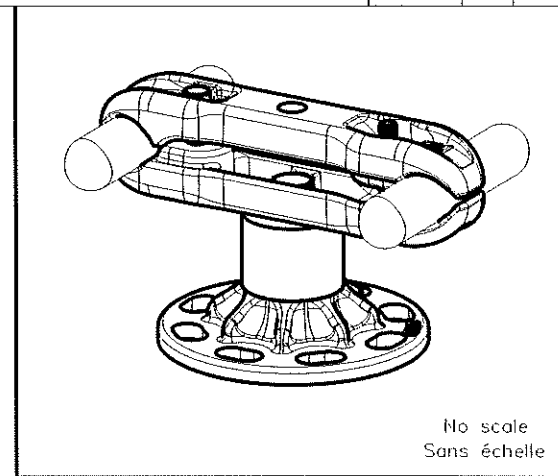
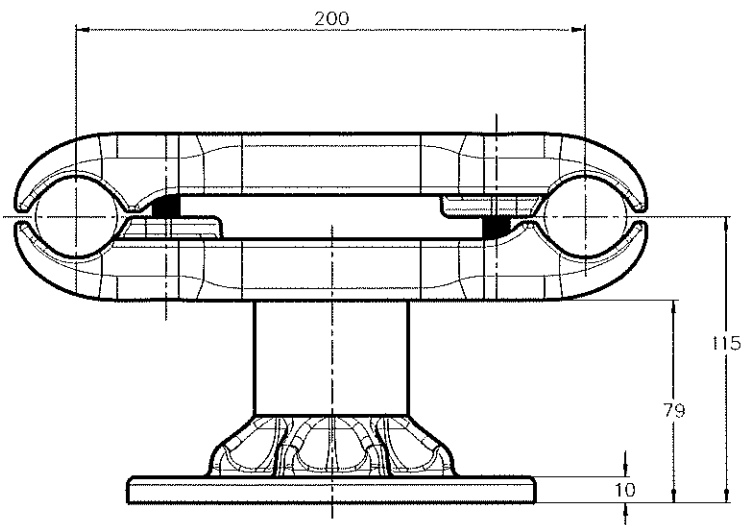
RELEASED FOR PUBLICATION

© COPYRIGHT - By -

ALL RIGHTS RESERVED.

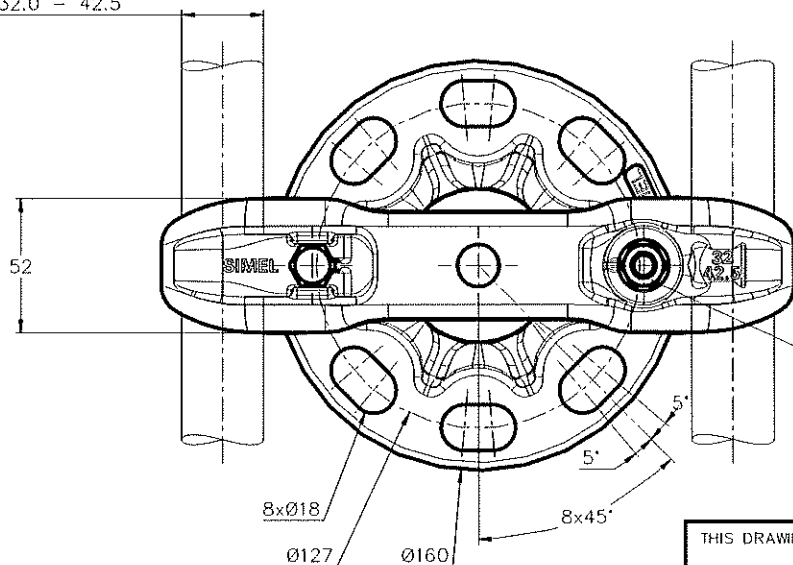
REVISIONS

P	LTR	DESCRIPTION	DATE	DRN	APVD
C		UPDATED DRAWING	06-FEB-18	GL	-



No scale
Sans échelle

Ø32.0 - 42.5



M10 Stainless steel bolts A2: 37 Nm
Boulons M10 acier inoxydable A2: 37 Nm

THIS DRAWING IS A CONTROLLED DOCUMENT.		DWI GODARD	22-Feb-17	TE Connectivity	
DIMENSIONS: mm		CHK -	APVD -	TWIN BUNDLE SPACER	
TOLERANCES UNLESS OTHERWISE SPECIFIED:		PRODUCT SPEC		ENTRETOISE POUR FAISCEAU DOUBLE	
0 PLC ± -	1 PLC ± -	APPLICATION SPEC		5 CAE 82 P5 M320/M425 E200	
2 PLC ± -	3 PLC ± -	APPROX. WEIGHT	2.0 kg	SIZE	A3
4 PLC ± -	ANGLES ± -	CUSTOMER DRAWING		CAGE CODE	A300779
MATERIAL	FINISH	DRAWING NO		RESTRICTED TO	-
-	-	SCALE		1:2	SHEET
				1 of 1	REV
					C

ITEM: 3.6