

4

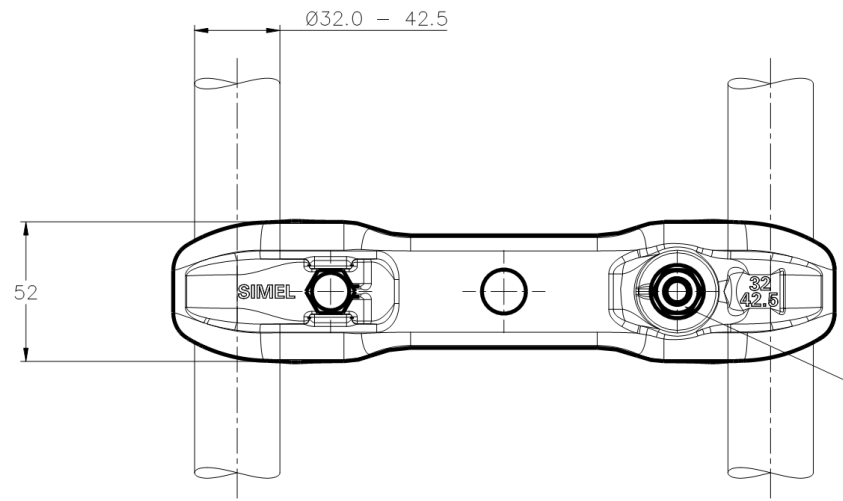
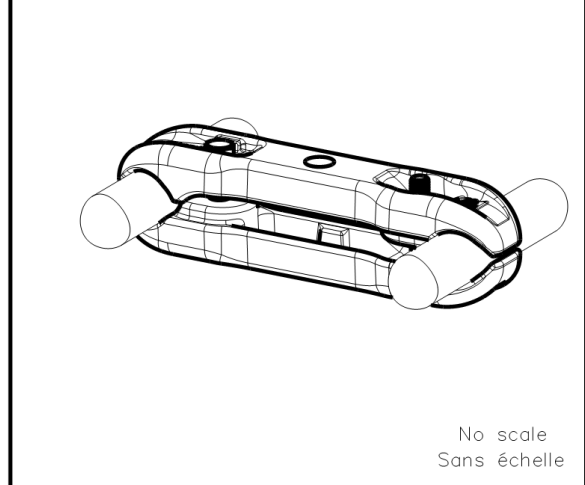
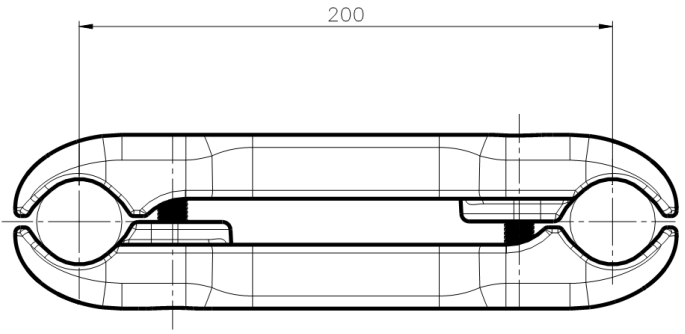
3

2

1

THIS DRAWING IS UNPUBLISHED. RELEASED FOR PUBLICATION - , - -
 © COPYRIGHT - By - ALL RIGHTS RESERVED.

REVISIONS					
P	LTR	DESCRIPTION	DATE	DWN	APVD
C		UPDATED DRAWING	16-FEB-18	GL	-



M10 Stainless steel bolts A2: 37 Nm
 Boulons M10 acier inoxydable A2: 37 Nm

THIS DRAWING IS A CONTROLLED DOCUMENT.		DWN	22-Feb-17		STE TE Connectivity	
		CHK	-			
DIMENSIONS: mm		TOLERANCES UNLESS OTHERWISE SPECIFIED:		NAME		
		0 PLC	± -	TWIN BUNDLE SPACER		
		1 PLC	± -	ENTRETOISE POUR FAISCEAU DOUBLE		
		2 PLC	± -	5 CAE 82 M320/M425 E200		
		3 PLC	± -	SIZE		
		4 PLC	± -	CAGE CODE		
MATERIAL		FINISH		DRAWING NO		RESTRICTED TO
-		-		A3 00779 C=2314535		-
		APPROX. WEIGHT		CUSTOMER DRAWING		SCALE
		1.16 kg		1:2		SHEET
				1 OF 1		REV
				C		

ITEM: 5.12