

4

3

2

1

THIS DRAWING IS UNPUBLISHED.

RELEASED FOR PUBLICATION

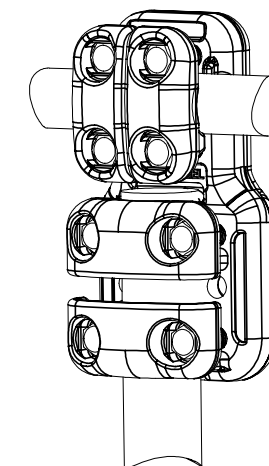
-, - .

© COPYRIGHT - By -

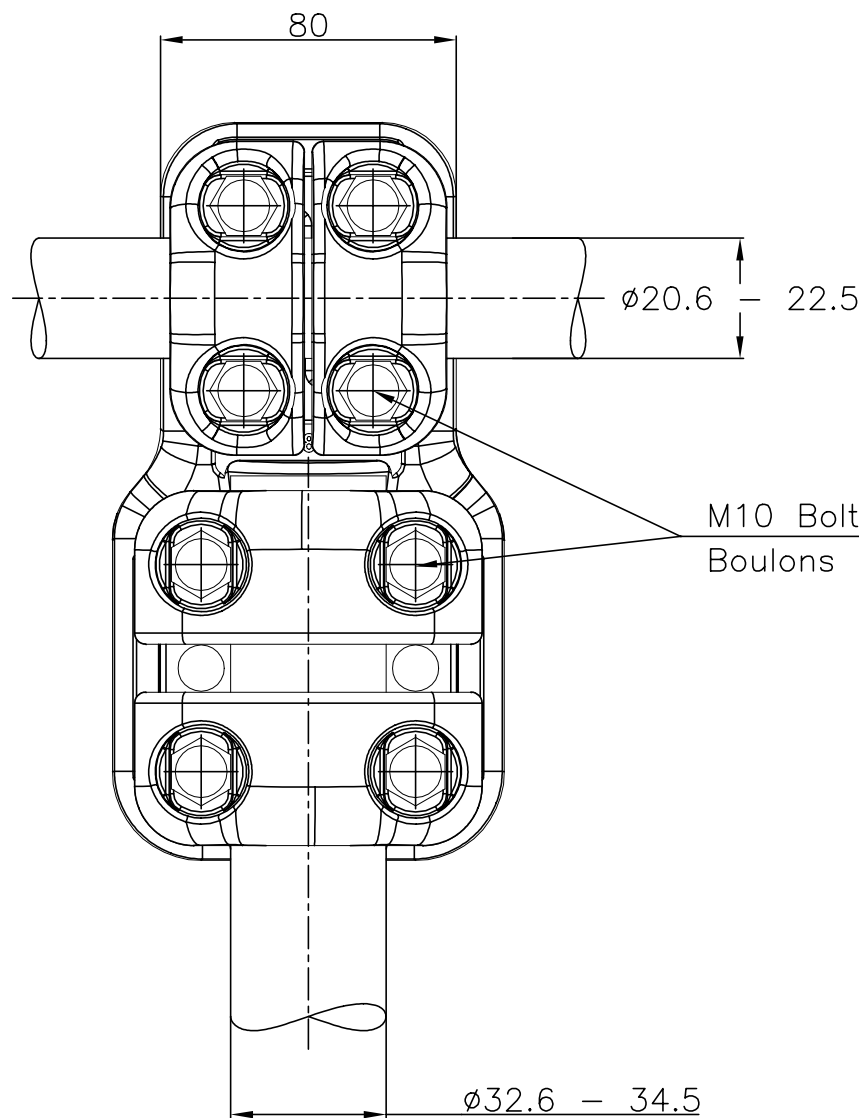
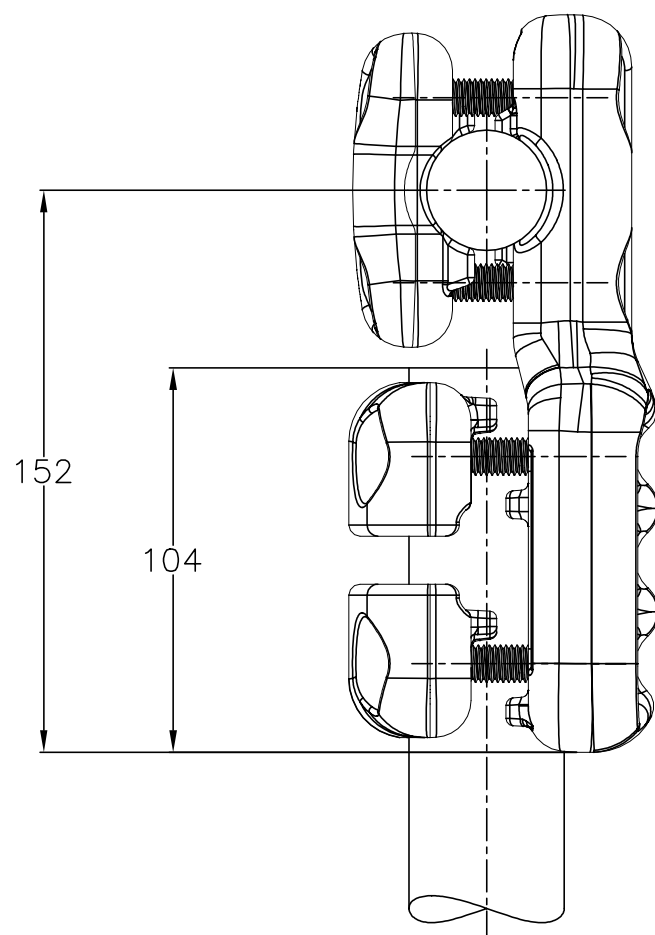
ALL RIGHTS RESERVED.


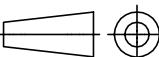
REVISIONS

P	LTR	DESCRIPTION	DATE	DWN	APVD
A		CREATION	19SEP2022	RS	CG



No scale
Sans echelle



THIS DRAWING IS A CONTROLLED DOCUMENT.		DWN	R.VI.S	19SEP2022	 TE Connectivity
DIMENSIONS: mm		CHK	M.PREVOT	19SEP2022	
		APVD	C.GLOMMEAU	19SEP2022	
TOLERANCES UNLESS OTHERWISE SPECIFIED:		PRODUCT SPEC		NAME	
0 PLC ± - 1 PLC ± - 2 PLC ± - 3 PLC ± - 4 PLC ± - ANGLES ± -		APPLICATION SPEC		108-69096-001	TEE CONNECTOR RACCORD EN TE 5 CT 82 S225 M345
MATERIAL -		FINISH -		APPROX.WEIGHT 1.9 kg	
ITEM:.....		CUSTOMER DRAWING		SCALE 1:2	RESTRICTED TO -
1470-19 (1/15)		A300779		DRAWING NO C=2432195	SHEET 1 of 1
				REV A	