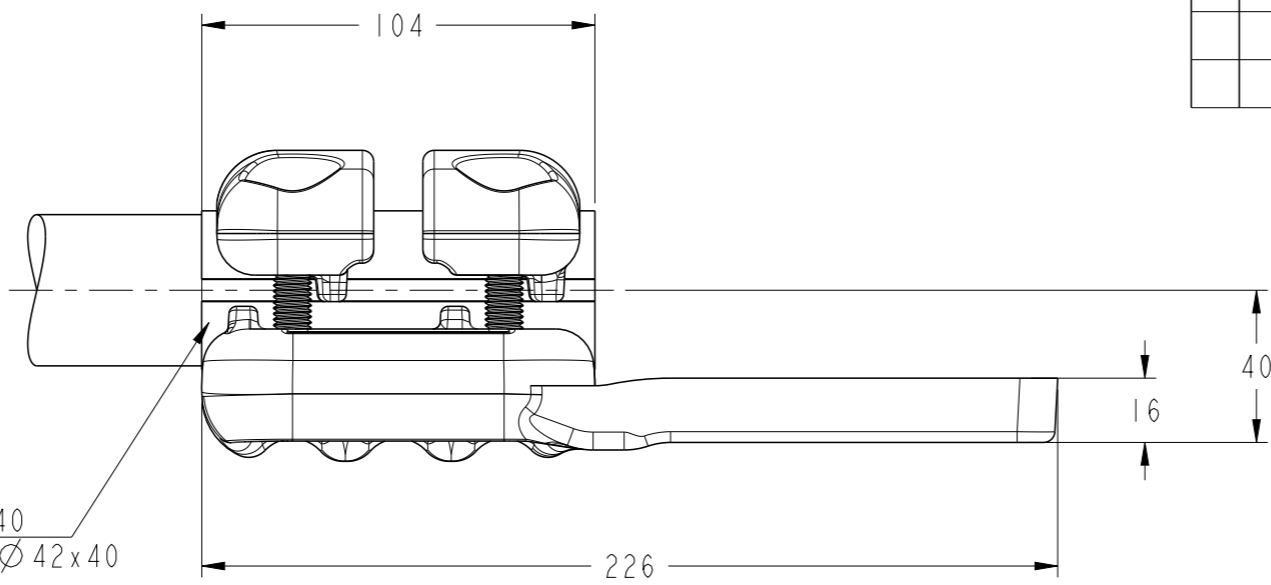
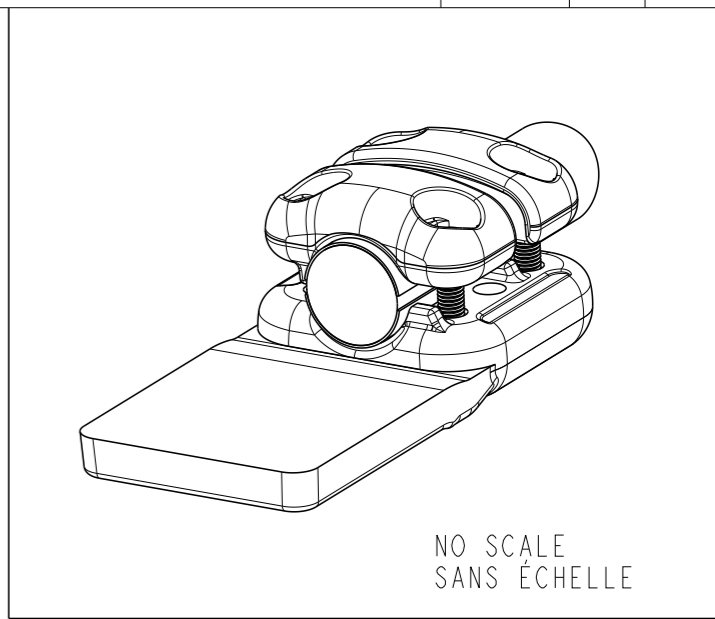


REVISIONS

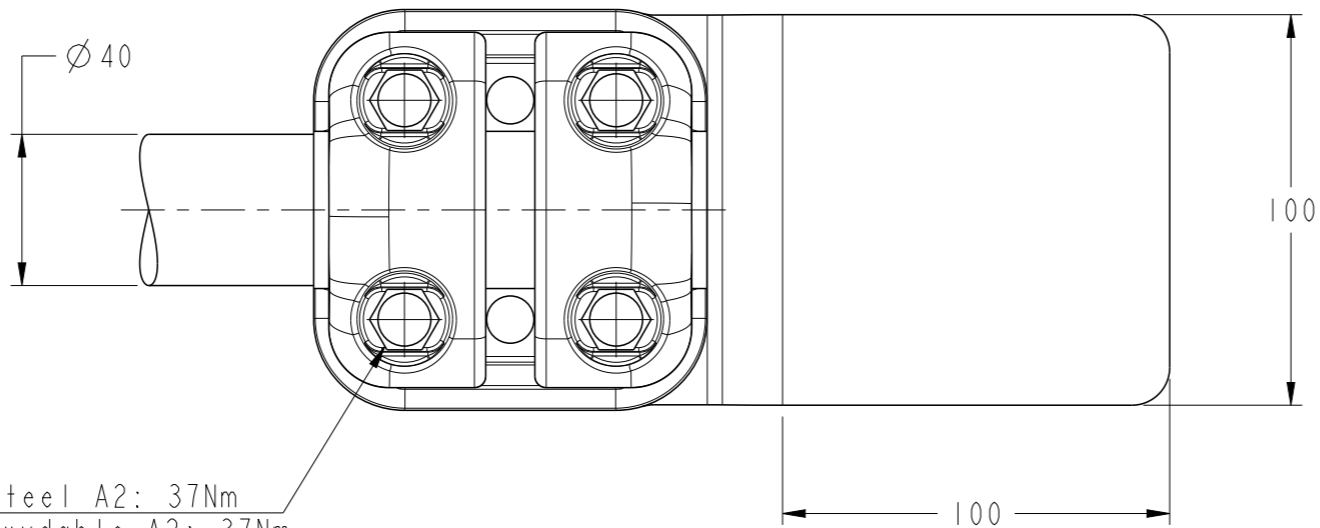
P	LTR	DESCRIPTION	DATE	DWN	APVD
	A	CREATION	07SEP2022	RS	CG



Bimetallic sleeve Alu/Copper  $\varnothing 42 \times 40$   
 Fourrure bi-métallique Alu/Cuivre  $\varnothing 42 \times 40$



NO SCALE  
 SANS ÉCHELLE



M10 Bolts stainless steel A2: 37Nm  
 Boulons M10 acier inoxydable A2: 37Nm

THIS DRAWING IS A CONTROLLED DOCUMENT.

DIMENSIONS: mm	TOLERANCES UNLESS OTHERWISE SPECIFIED:
	0 PLC ±
	1 PLC ±
	2 PLC ±
	3 PLC ±
	4 PLC ±
	ANGLES ±
MATERIAL	FINISH

DWN	RAVI.S	07SEP2022
CHK	M PREVOT	07SEP2022
APVD	C GLOMMEAU	07SEP2022
PRODUCT SPEC	108-69096-001	
APPLICATION SPEC	CUSTOMER DRAWING	
WEIGHT	1.6 kg	

NAME PAD CONNECTOR FOR SINGLE CONDUCTOR CONNECTEUR A PLAGE POUR FAISCEAU SIMPLE			
SIZE	CAGE CODE	DRAWING NO	RESTRICTED TO
A3	00779	C=2430503	-
SCALE		SHEET	REV
1:2		1 OF 1	A