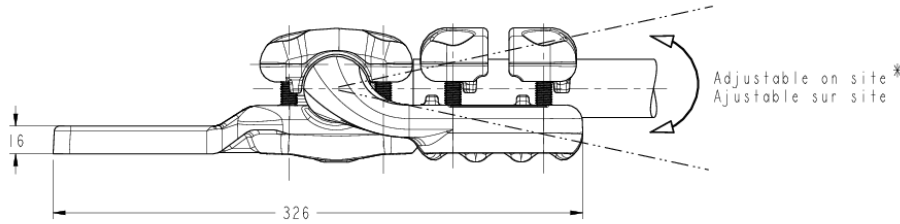


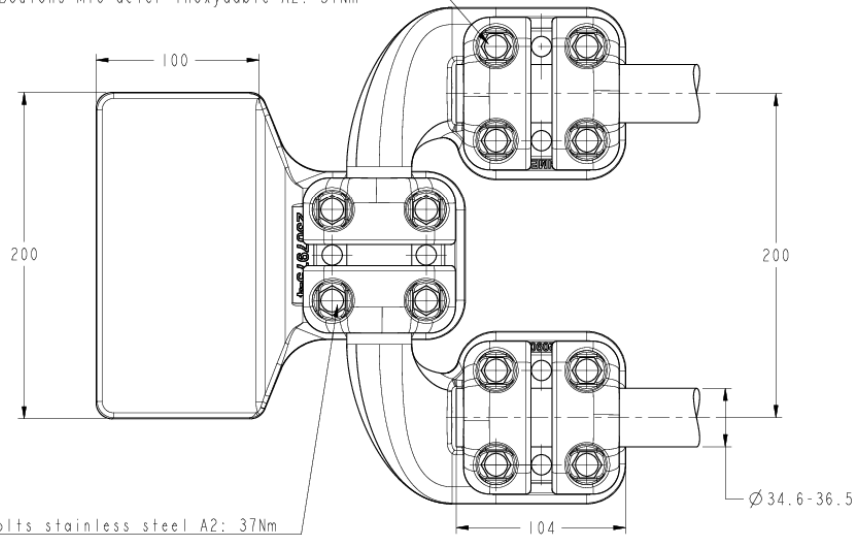
© 2022 TE Connectivity. All Rights Reserved.

REVISIONS

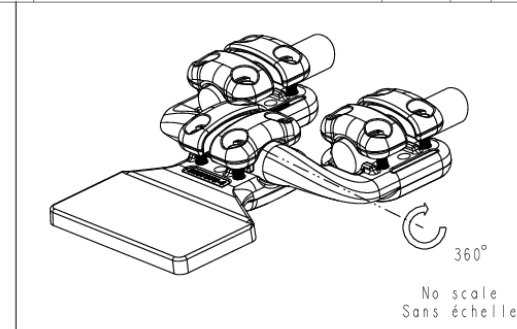
| P | LTR | DESCRIPTION | DATE | DWN | APVD |
|---|-----|-------------|-----------|-----|------|
| | A | CREATION | 02SEP2022 | SM | CG |



M10 Bolts stainless steel A2: 37Nm
Boulons M10 acier inoxydable A2: 37Nm



* M10 Bolts stainless steel A2: 37Nm
Boulons M10 acier inoxydable A2: 37Nm



*
In case of loosening contact surfaces must be cleaned and greased
Refer to installation instruction

En cas de desserrage, les surfaces de contact doivent être nettoyées et graissées
Se référer à la notice d'installation

THIS DRAWING IS A CONTROLLED DOCUMENT.

DWN SATYA.M 02SEP2022

CHK M. PREVOT 02SEP2022

APVD C. GLOMMEAU 02SEP2022

PRODUCT SPEC 108-69096-001

APPLICATION SPEC -

WEIGHT 5.25 kg

CUSTOMER DRAWING

STE TE Connectivity

NAME ADJUSTABLE CONNECTOR TO PALM
RACCORD AJUSTABLE SUR PLAGES
5 PDA 82 F M365 E200 100X200

SIZE CAGE CODE DRAWING NO RESTRICTED TO

A3 00779 C=2430294 -

SCALE 2:5 SHEET 1 OF 1 REV A

| DIMENSIONS: | TOLERANCES UNLESS OTHERWISE SPECIFIED: |
|-------------|--|
| mm | |
| | 0 PLC ±- |
| | 1 PLC ±- |
| | 2 PLC ±- |
| | 3 PLC ±- |
| | 4 PLC ±- |
| | ANGLES ±- |
| MATERIAL | FINISH |
| - | - |